

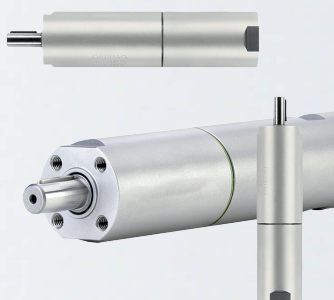


ADVANCED LINE

Stainless Steel Air Motors
from 20 W / 0.03 Hp up to 1.6 kW / 2.1 Hp

PRODUCT SPECTRUM OVERVIEW: ADVANCED LINE AIR MOTORS

Stainless steel motors with integrated planetary gears



The vane motors of the ADVANCED LINE are particularly compact drive solutions for installation in either handheld machines or industrial systems. These top quality stainless steel motors are suitable for the chemical industry, for the paper industry, the pharmaceutical industry, medical technology and also for use in the food industry.

Performance classes:

| | |
|-----------------|---------|
| 20/30 W | Page 4 |
| 80/100 W | Page 6 |
| 90/120/170 W | Page 8 |
| 100/200/280 W | Page 10 |
| 130/300/400 | Page 12 |
| 300/600/850 W | Page 20 |
| 900/1100 W | Page 22 |
| 700/1600/2200 W | Page 32 |

High torque stainless steel motors



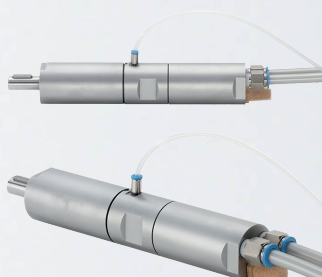
The high torque motors of the ADVANCED LINE are small in size but provide extremely high output. Our high torque motors are also less apt to stall, the stalling torque for e.g. motor type 67X-517 is 600 Nm.

Performance classes:

| | |
|------------|---------|
| 300/400 W | Page 14 |
| 600/850 W | Page 24 |
| 900/1100 W | Page 26 |

These drive solutions are particularly suitable for use in industrial agitators and mixers as used in the paint industry, food industry or pharmaceutical industry.

Stainless steel motors with integrated holding brake



Due to their size and design DEPRAG stainless steel motors with integrated holding brake are the optimal choice for use in any application where reliability plays an important role. The integrated holding brake can either be controlled using a separate control lead or via the motor exhaust. If pressure falls the brakes are automatically activated.

Performance classes:

| | |
|-------------------|---------|
| 300 W | Page 16 |
| 100/130/200/300 W | Page 18 |
| 300/600/900 W | Page 28 |
| 600/900 W | Page 30 |
| 700/1600 W | Page 34 |

The big plus: This innovative complete system is also available with ATEX certification!

ATEX SPECIFICATION

| | | |
|------------|----|------------------------------|
| A = | CE | II 2G Ex h IIC T6 Gb X |
| | | II 2D Ex h IIIC T80 °C Db X |
| B = | CE | II 2G Ex h IIC T5 Gb X |
| | | II 2D Ex h IIIC T95 °C Db X |
| C = | CE | II 2G Ex h IIC T4 Gb X |
| | | II 2D Ex h IIIC T130 °C Db X |
| D = | CE | II 2G Ex h IIC T3 Gb X |
| | | II 2D Ex h IIIC T195 °C Db X |



ADVANTAGES OF ADVANCED LINE AIR MOTORS

- **Non corrosive**
- **Sterilisable**
- **ATEX conform**
- **Compact**
- **Oil-free**
- **Insensitive to cleaning solvents**
- **Sealed**



The ADVANCED LINE air motors are particularly suitable for use in the food industry, medical technology, underwater applications and the chemical industry. All airmotors can also be used without lubrication.

All external parts (housing and spindle) of our ADVANCED LINE series are made from high quality non corrosive steel. Our air motors are also available in an ATEX conform complete system with integrated holding brakes.

In addition our modular principle enables us to offer low cost customisations for your specific application!

High torque motors made from stainless steel - small in size but extremely high torque:

Our ADVANCED LINE pneumatic motors are also available as high torque motors made from stainless steel. The ideal drive solution for e.g. agitators and industrial mixers.

LONG LIFE-SPAN

A wide product range of stainless steel motors, the use of DEPRAG high performance vanes as well as a specific surface coating on our materials all this ensures your motor's long life-span.



Airmotor - gear box - valve: a stainless steel system for the paper industry, sealed stainless steel motors, high performance vanes

SHORT DELIVERY TIMES

Due to our large amount of in-house production we are able to deliver quickly and flexibly at short notice, even when dealing with smaller quantities.



Large amount of in-house production, on-site salt bath heat treatment facility

APPLICATION CONSULTANCY

Our application engineers will gladly advise you in the selection of the most suitable drive for your application. If you would like to test or replace your existing drive we can check it for you in our innovative performance testing facility.

WIDE VARIETY AND COMPREHENSIVE RANGE OF ACCESSORIES


Our standard programme is distinguished by its wide variety. All our stainless steel motors are also available with threaded spindle. Additionally due to our modular principle we are able to offer numerous variations to choose from.

Do not hesitate to contact us if you have a specific mounting fixture request.




Performance testing facility, professional guidance from our engineers

20/30 W ADVANCED LINE AIR MOTOR

| Motor size 0 | | reversible | | | | |
|---|---------------------------|------------|-------------|-------------|-------------|--|
| Series 67X-ATEX conform | Type | 67X-010 | 67X-020 | 67X-030 | 67X-040 | |
|  | Part no. | 306700B | 306700C | 306700D | 306700E | |
| ATEX specification | | C | C | A | A | |
| Nominal power | W / HP | 20 / 0.03 | 20 / 0.03 | 20 / 0.03 | 20 / 0.03 | |
| Nominal speed | rpm | 3000 | 2500 | 650 | 475 | |
| Speed (idling) | rpm | 6000 | 5000 | 1300 | 950 | |
| Nominal torque | Nm / in.lbs | 0.06 / 0.5 | 0.08 / 0.7 | 0.29 / 2.6 | 0.4 / 3.5 | |
| Start torque min. | Nm / in.lbs | 0.09 / 0.8 | 0.12 / 1 | 0.44 / 3.9 | 0.6 / 5.3 | |
| Stall torque | Nm / in.lbs | 0.12 / 1 | 0.15 / 1.33 | 0.55 / 4.87 | 0.75 / 6.64 | |
| Air consumption | m ³ /min / cfm | 0.1 / 3 | 0.1 / 3 | 0.1 / 3 | 0.1 / 3 | |
| Weight | kg / lbs | 0.16 / 0.3 | 0.16 / 0.3 | 0.16 / 0.3 | 0.16 / 0.3 | |
| Hose I.D., supply air/exhaust air | mm / in. | 3 / 1/8 | 3 / 1/8 | 3 / 1/8 | 3 / 1/8 | |

Included in delivery:

2 Slide connectors (M 5)

| Motor size 0 | | right rotation | | | | |
|---|---------------------------|----------------|-----------|-----------|-----------|--|
| Series 67X-ATEX conform | Type | 67X-010R | 67X-020R | 67X-030R | 67X-040R | |
|  | Part no. | 3067000B | 3067000C | 3067000D | 3067000E | |
| ATEX specification | | C | C | A | A | |
| Nominal power | W / HP | 30/0.04 | 30/0.04 | 30/0.04 | 30/0.04 | |
| Nominal speed | rpm | 3000 | 2500 | 650 | 500 | |
| Speed (idling) | rpm | 6000 | 5000 | 1300 | 1000 | |
| Nominal torque | Nm / in.lbs | 0.1/0.885 | 0.11/0.97 | 0.44/3.89 | 0.57/5.04 | |
| Start torque min. | Nm / in.lbs | 0.12/1.06 | 0.17/1.5 | 0.66/5.84 | 0.86/7.61 | |
| Stall torque | Nm / in.lbs | 0.18/1.59 | 0.22/1.95 | 0.84/7.43 | 1.09/9.65 | |
| Air consumption | m ³ /min / cfm | 0.1/3.53 | 0.1/3.53 | 0.1/3.53 | 0.1/3.53 | |
| Weight | kg / lbs | 0.13/0.29 | 0.13/0.29 | 0.13/0.29 | 0.13/0.29 | |
| Hose I.D., supply air/exhaust air | mm / in. | 3 / 1/8 | 3 / 1/8 | 3 / 1/8 | 3 / 1/8 | |

Included in delivery:

1 Slide connector (M 5)

Performance data relate to an air pressure of 6 bar (85 PSI) and lubricated air. With oil-free operation the output will be reduced by 10 - 20%.

Please note that these motor gears are not stall-proof. If a higher application-based torque cannot be limited by the customer (e.g. by use of a slip clutch), please contact our application specialists to discuss an alternative solution.

| Optional Equipment | for Motor size 0 | |
|---|------------------|---------|
| Flange incl. mounting screws | Part no. | 4451872 |
| Silencer: motor is reversible (right and left rotation) | | |
| 1 Silencer | Part no. | 129588A |
| Maintenance unit with lubricator* | Part no. | 820454A |
| Connection thread | | G 1/4 |
| Maintenance unit without lubricator* | Part no. | 822408A |
| Connection thread | | G 1/4 |
| Replacement part set consisting of: vanes, sealant rings, o-rings and silencers | Part no. | 446083B |

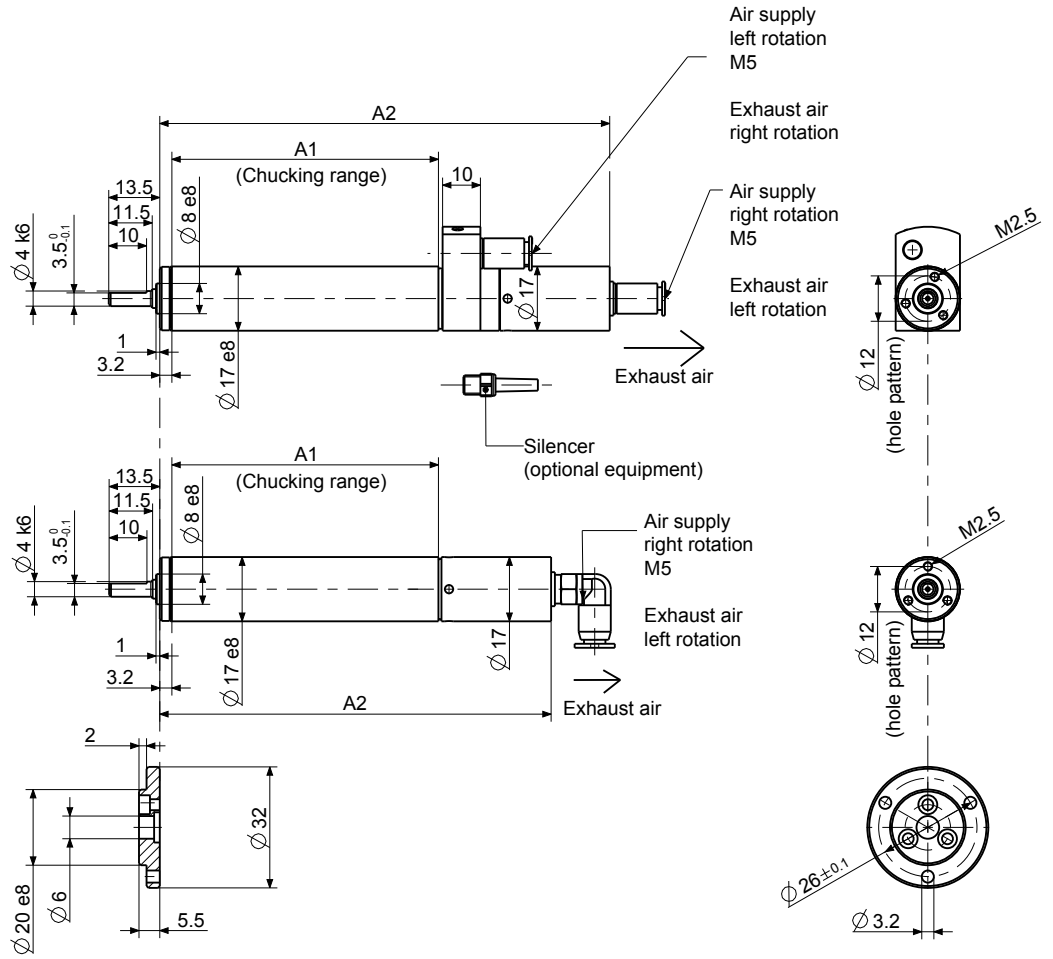
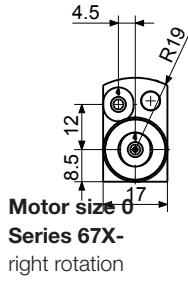
*) Maintenance unit consists of pressure regulator valve, filter and optionally with or without lubricator

Of course you can also purchase individual replacement parts from us. Please contact us if this is a requirement. Our standard maintenance units are not ATEX conform. Please contact us if this is a requirement

Allowable shaft loading see page 36.

Further notes for soundproofing see page 36/37.

Motor size 0
Series 67X-
 reversible, right rotation



Dimensions in mm

p4400563

| Motor size | Series 67X- Type | | Dimensions of motor (mm) | |
|------------|---------------------|----------|--------------------------|-------|
| | | | A1 | A2 |
| 0 | 67X-010 | 67X-020 | 64.5 | 112.9 |
| | 67X-030 | 67X-040 | 70.5 | 119 |
| | 67X-010R | 67X-020R | 64.5 | 97.4 |
| | 67X-030R | 67X-040R | 70.5 | 103.5 |

80/100 W ADVANCED LINE AIR MOTOR

Motor size 1

reversible

| Series 67X-ATEX conform | Type | 67X-001 | 67X-011 | 67X-021 | 67X-031 | 67X-061 | 67X-081 | 67X-331 | 67X-551 | 67X-581 |
|-------------------------|-------------------------|-----------|-----------|-----------|----------------------|----------------------|----------------------|----------------------|----------------------|----------------------|
| ATEX specification | Part no. | 306710A | 306710B | 306710C | 306710D | 306710H | 306710E | 306710G | 306710F | 306710I |
| | | A | C | C | A | A | A | A | A | A |
| Nominal power | W/HP | 80/0.11 | 80/0.11 | 80/0.11 | 80/0.11 | 80/0.11 | 80/0.11 | 80/0.11 | 80/0.11 | 80/0.11 |
| Nominal speed | rpm | 14500 | 3500 | 950 | 650 | 2) | 2) | 2) | 2) | 2) |
| Speed (idling) | rpm | 29000 | 7000 | 1900 | 1300 | 490 | 240 | 60 | 30 | 8 |
| Nominal torque | Nm/in.lbs | 0.05/0.44 | 0.22/1.9 | 0.8/7 | 1.2/11 | 2/17.7 ¹⁾ | 2/17.7 ¹⁾ | 2/17.7 ¹⁾ | 2/17.7 ¹⁾ | 2/17.7 ¹⁾ |
| Start torque min. | Nm/in.lbs | 0.08/0.71 | 0.33/2.9 | 1.2/11 | 1.8/16 | 2/17.7 ¹⁾ | 2/17.7 ¹⁾ | 2/17.7 ¹⁾ | 2/17.7 ¹⁾ | 2/17.7 ¹⁾ |
| Stall torque | Nm/in.lbs | 0.10/0.89 | 0.41/3.63 | 1.5/13.28 | 2/17.7 ¹⁾ | 2/17.7 ¹⁾ | 2/17.7 ¹⁾ | 2/17.7 ¹⁾ | 2/17.7 ¹⁾ | 2/17.7 ¹⁾ |
| Max. admissible torque | Nm/in.lbs | - | - | - | 2/17.7 | 2/17.7 | 2/17.7 | 2/17.7 | 2/17.7 | 2/17.7 |
| Air consumption | m ³ /min/cfm | 0.23/8 | 0.23/8 | 0.23/8 | 0.23/8 | 0.23/8 | 0.23/8 | 0.23/8 | 0.23/8 | 0.23/8 |
| Length A2 | mm/in. | 96.5/3.76 | 96.5/3.76 | 105.5/4.1 | 105.5/4.1 | 113.5/4.4 | 113.5/4.4 | 122.5/4.78 | 122.5/4.78 | 130.5/5.09 |
| Length A1 | mm/in. | 85/3.3 | 85/3.3 | 94/3.67 | 94/3.67 | 102/3.978 | 102/3.978 | 111/4.329 | 111/4.329 | 118,75/4.63 |
| Weight | kg/lbs | 0.2/0.4 | 0.2/0.4 | 0.22/0.5 | 0.22/0.5 | 0.29/0.6 | 0.29/0.6 | 0.31/0.68 | 0.31/0.68 | 0.33/0.73 |
| Hose I.D., supply | | | | | | | | | | |
| air/exhaust air | mm/in. | 4/5/32 | 4/5/32 | 4/5/32 | 4/5/32 | 4/5/32 | 4/5/32 | 4/5/32 | 4/5/32 | 4/5/32 |

Motor size 1

right rotation

| Series 67X-ATEX conform | Type | 67X-001R | 67X-011R | 67X-021R |
|-------------------------|-------------------------|-----------|-----------|-----------|
| ATEX specification | Part no. | 3067100A | 3067100B | 3067100C |
| | | A | C | C |
| Nominal power | W/HP | 100/0.134 | 100/0.134 | 100/0.134 |
| Nominal speed | rpm | 15500 | 4300 | 1200 |
| Speed (idling) | rpm | 31000 | 8600 | 2400 |
| Nominal torque | Nm/in.lbs | 0.06/0.53 | 0.22/1.9 | 0.8/7 |
| Start torque min. | Nm/in.lbs | 0.09/0.8 | 0.33/2.9 | 1.2/11 |
| Stall torque | Nm/in.lbs | 0.11/0.97 | 0.41/3.63 | 1.5/13.28 |
| Max. admissible torque | Nm/in.lbs | - | - | - |
| Air consumption | m ³ /min/cfm | 0.23/8 | 0.23/8 | 0.23/8 |
| Length A2 | mm/in. | 96.5/3.76 | 96.5/3.76 | 105.5/4.1 |
| Length A1 | mm/in. | 85/3.3 | 85/3.3 | 94/3.67 |
| Weight | kg/lbs | 0.2/0.4 | 0.2/0.4 | 0.22/0.5 |
| Hose I.D., supply | | | | |
| air/exhaust air | mm/in. | 4/5/32 | 4/5/32 | 4/5/32 |

Included in delivery:

Slide connectors (M8 x 0.75)

Performance data relate to an air pressure of 6 bar (85 PSI) and lubricated air.

With oil-free operation the output will be reduced by 10 - 20%.

- 1) Please take note of the maximum permissible torque for the gear. Please note that these motor gears are not stall-proof. If a higher application-based torque cannot be limited by the customer (e.g. by use of a slip clutch), please contact our application specialists to discuss an alternative solution.
- 2) At the maximum permissible torque of the gear, operating speed is adjusted to the region of the idle speed. This operating speed can be reduced to up to 25 % of the indicated idle speed by reducing pressure and additional exhaust air throttling. For operation at very low speeds in relation to the idle speed, we recommend the use of spring-assisted vanes (Z vanes).

Optional Equipment

for motor size 1

| | | |
|---|----------|--|
| Flange incl. mounting screws | Part no. | 4451812 |
| Bracket incl. mounting screws | Part no. | 4451802 |
| Silencer | Part no. | 117968A |
| Maintenance unit with lubricator* | Part no. | 820454A |
| Connection thread | | G 1/4 |
| Maintenance unit without lubricator* | Part no. | 822408A |
| Connection thread | | G 1/4 |
| Replacement part set consisting of: vanes, sealant rings, o-rings and silencers | Part no. | 446084B / for part no. 306710(0)A 446084C / for part no. 306710(0)B,C |

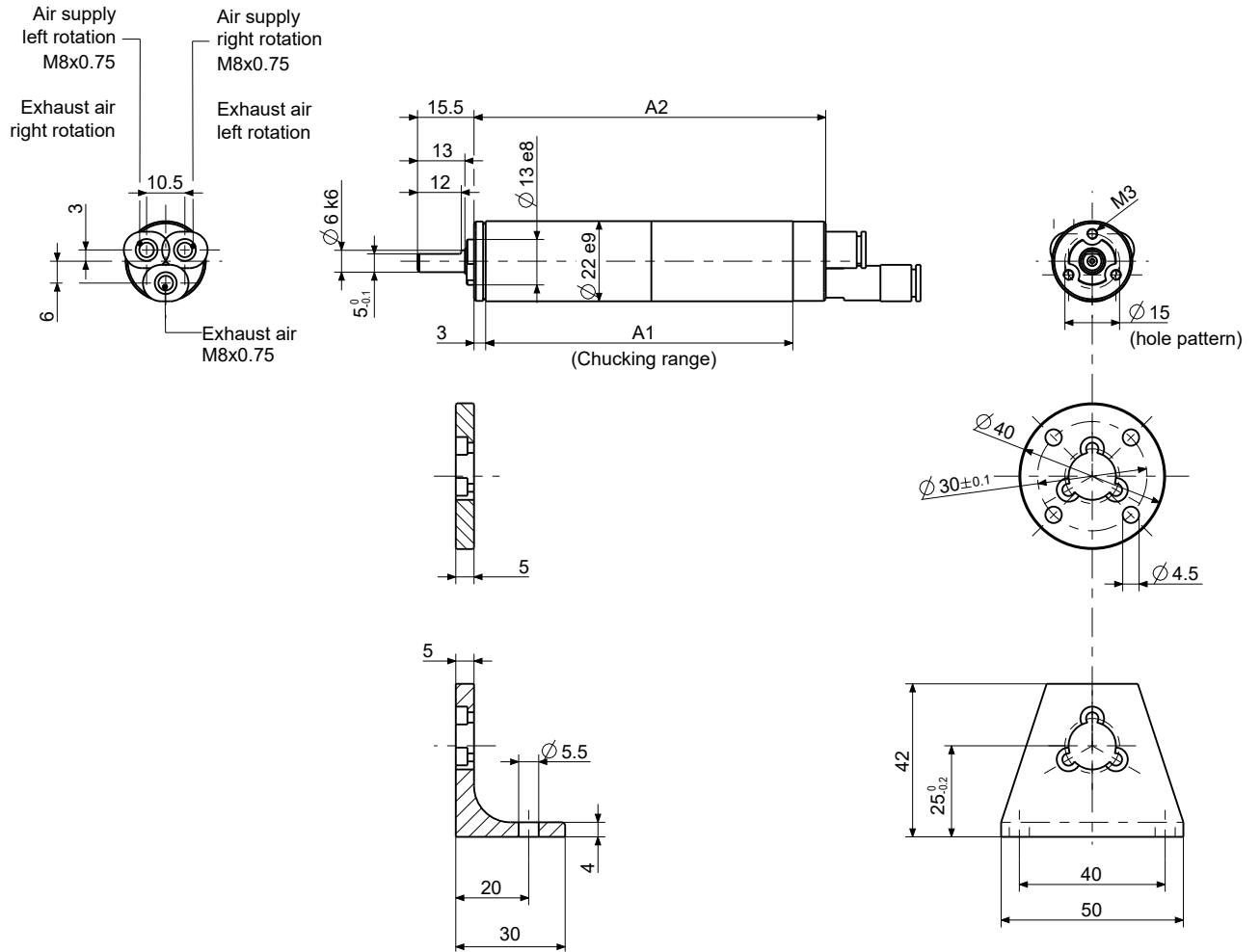
* Maintenance unit consists of pressure regulator valve, filter and optionally with or without lubricator

Of course you can also purchase individual replacement parts from us. Please contact us if this is a requirement. Our standard maintenance units are not ATEX conform. Please contact us if this is a requirement

Allowable shaft loading see page 36.

Further notes for soundproofing see page 36/37.




Motor size 1
Series 67X-
 reversible, right rotation



Dimensions in mm

p4400602

90/120/170 W ADVANCED LINE AIR MOTOR

| Motor size 2 | | reversible | | | | | | | |
|--|---|-------------------------|-----------------------------|-----------------------------|-----------------------------|-----------------------------|-----------------------------|-----------------------------|------------------------------|
| Series 67X- ATEX conform |  | Type Part no. | 67X-002 306720A | 67X-012 306720H | 67X-022 306720B | 67X-032 306720C | 67X-042 306720D | 67X-052 306720E | 67X-2521 306720F |
| ATEX specification | | | A | C | C | C | A | A | A |
| Series 67X- with threaded shaft |  | Type Part no. | 67X-002G 3067207A | 67X-012G 3067207H | 67X-022G 3067207B | 67X-032G 3067207C | 67X-042G 3067207D | 67X-052G 3067207E | 67X-2521G 3067207F |
| ATEX specification | | | A | C | C | C | A | A | A |
| Nominal power | W / HP | | 120 / 0.16 | 120 / 0.16 | 120 / 0.16 | 120 / 0.16 | 120 / 0.16 | 120 / 0.16 | 90 / 0.12 ³⁾ |
| Nominal speed | rpm | | 11000 | 2750 | 1800 | 700 | 450 | 300 | ²⁾ |
| Speed (idling) | rpm | | 22000 | 5500 | 3600 | 1400 | 900 | 600 | 100 |
| Nominal torque | Nm / in.lbs | | 0.10 / 0.9 | 0.4 / 3.5 | 0.6 / 5.3 | 1.6 / 14 | 2.5 / 22 | 3.8 / 34 | 5/44 ¹⁾ |
| Start torque min. | Nm / in.lbs | | 0.15 / 1.3 | 0.6 / 5.3 | 0.9 / 8 | 2.4 / 21 | 3.8 / 34 | 5/44 ¹⁾ | 5/44 ¹⁾ |
| Stall torque | Nm / in.lbs | | 0.19 / 1.68 | 0.76 / 6.73 | 1.14 / 10.09 | 3 / 26.55 | 4.7 / 41.6 | 5/44 ¹⁾ | 5/44 ¹⁾ |
| Max. admissible torque | Nm / in.lbs | | - | - | - | - | - | 5 / 44 | 5 / 44 |
| Air consumption | m ³ /min / cfm | | 0.3 / 11 | 0.3 / 11 | 0.3 / 11 | 0.3 / 11 | 0.3 / 11 | 0.3 / 11 | 0.3 / 11 |
| Weight | kg / lbs | | 0.35 / 0.8 | 0.35 / 0.8 | 0.35 / 0.8 | 0.4 / 0.9 | 0.4 / 0.9 | 0.4 / 0.9 | 0.45 / 1 |
| Hose I.D., supply air/exhaust air | mm / in. | | 6 / ¼ | 6 / ¼ | 6 / ¼ | 6 / ¼ | 6 / ¼ | 6 / ¼ | 6 / ¼ |
| Motor size 2 | | right rotation | | | | | | | |
| Series 67X- ATEX conform |  | Type Part no. | 67X-002R 3067200A | 67X-012R 3067200H | 67X-022R 3067200B | 67X-032R 3067200C | 67X-042R 3067200D | 67X-052R 3067200E | |
| ATEX specification | | | A | D | C | C | C | A | |
| Nominal power | W / HP | | 170 / 0.23 | 170 / 0.23 | 170 / 0.23 | 170 / 0.23 | 170 / 0.23 | 170 / 0.23 | |
| Nominal speed | rpm | | 12250 | 3075 | 2050 | 750 | 500 | 340 | |
| Speed (idling) | rpm | | 24500 | 6150 | 4100 | 1500 | 1000 | 680 | |
| Nominal torque | Nm / in.lbs | | 0.13 / 1.15 | 0.5 / 4.42 | 0.8 / 7.08 | 2.1 / 18.6 | 3.2 / 28.3 | 4.8 / 42.5 | |
| Start torque min. | Nm / in.lbs | | 0.2 / 1.77 | 0.8 / 7.08 | 1.2 / 10.62 | 3.2 / 28.3 | 4.8 / 42.5 | 5/44 ¹⁾ | |
| Stall torque | Nm / in.lbs | | 0.25 / 2.2 | 1 / 8.85 | 1.5 / 13.3 | 4.1 / 36.3 | 5/44 ¹⁾ | 5/44 ¹⁾ | |
| Max. admissible torque | Nm / in.lbs | | - | - | - | - | 5 / 44 | 5 / 44 | |
| Air consumption | m ³ /min / cfm | | 0.3 / 11 | 0.3 / 11 | 0.3 / 11 | 0.3 / 11 | 0.3 / 11 | 0.3 / 11 | |
| Weight | kg / lbs | | 0.35 / 0.8 | 0.35 / 0.8 | 0.35 / 0.8 | 0.4 / 0.9 | 0.4 / 0.9 | 0.4 / 0.9 | |
| Hose I.D., supply air/exhaust air | mm / in. | | 6 / ¼ | 6 / ¼ | 6 / ¼ | 6 / ¼ | 6 / ¼ | 6 / ¼ | |

Performance data relate to an air pressure of 6 bar (85 PSI) and lubricated air. With oil-free operation the output will be reduced by 10 - 20%.

³⁾ theoretical values for issuing the power diagram

¹⁾ Please take note of the maximum permissible torque for the gear. Please note that these motor gears are not stall-proof. If a higher application-based torque cannot be limited by the customer (e.g. by use of a slip clutch), please contact our application specialists to discuss an alternative solution.

²⁾ At the maximum permissible torque of the gear, operating speed is adjusted to the region of the idle speed. This operating speed can be reduced to up to 25 % of the indicated idle speed by reducing pressure and additional exhaust air throttling. For operation at very low speeds in relation to the idle speed, we recommend the use of spring-assisted vanes (Z vanes).

| Optional Equipment | for motor size 2 | |
|---|------------------|--|
| Flange incl. mounting screws | Part no. | 4445694 |
| Bracket incl. mounting screws | Part no. | 4445722 |
| Silencer: motor operates in one direction (right or left rotation) | | |
| 1 Hose nozzle | Part no. | 823237 |
| 1 Silencer | Part no. | 129596A |
| Silencer: motor is reversible (right and left rotation) | | |
| 2 Hose nozzles | Part no. | 823237 |
| 1 Silencer | Part no. | 129596B |
| Maintenance unit with lubricator* | Part no. | 820454A |
| Connection thread | | G 1/4 |
| Maintenance unit without lubricator* | Part no. | 822408A |
| Connection thread | | G 1/4 |
| Replacement part set consisting of: vanes, sealant rings, o-rings and silencers | Part no. | 445580C / for part no. 306720(0)A 445580A / for part no. 306720(0)B-H |

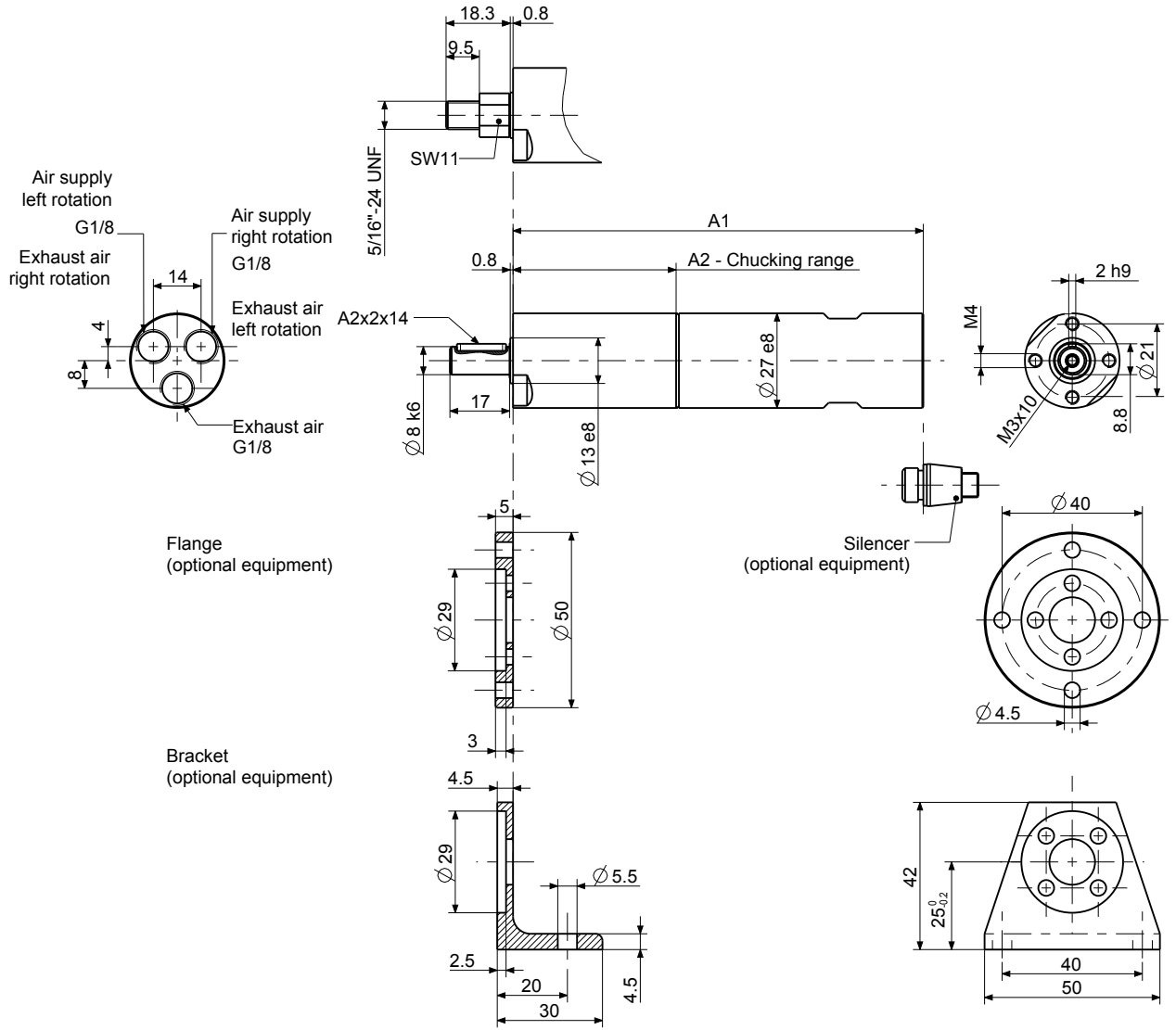
*) Maintenance unit consists of pressure regulator valve, filter and optionally with or without lubricator

Of course you can also purchase individual replacement parts from us. Please contact us if this is a requirement. Our standard maintenance units are not ATEX conform. Please contact us if this is a requirement

Allowable shaft loading see page 36.

Further notes for soundproofing see page 36/37.

Motor size 2
Series 67X-
 reversible and right rotation






Dimensions in mm

p4402205

| Motor size | Series 67X- Type | | | Dimensions of motor (mm) | |
|------------|---------------------|--------------|--------------|--------------------------|------|
| | | | | A1 | A2 |
| 2 | 67X-002(G,R) | 67X-012(G,R) | 67X-022(G,R) | 117 | 46.5 |
| | 67X-032(G,R) | 67X-042(G,R) | 67X-052(G,R) | 129.5 | 59 |
| | 67X-2521(G) | | | 142 | 71.5 |

100/200/280 W ADVANCED LINE AIR MOTOR

| Motor size 2.5 | | reversible | | | | | | | |
|--|---|------------------------------|------------------------------|------------------------------|------------------------------|------------------------------|------------------------------|-------------------------------|-------------------------------|
| Series 67X- ATEX conform |  Type Part no. | 67X-0025 306725B | 67X-0125 306725C | 67X-0225 306725D | 67X-0725 306725F | 67X-0325 306725E | 67X-0425 306725A | 67X-04251 306725G | 67X-24251 306725H |
| ATEX specification | | A | C | C | C | A | A | A | A |
| Series 67X- with threaded shaft ATEX conform |  Type Part no. | 67X-0025G 3067257B | 67X-0125G 3067257C | 67X-0225G 3067257D | 67X-0725G 3067257F | 67X-0325G 3067257E | 67X-0425G 3067257A | 67X-04251G 3067257G | 67X-24251G 3067257H |
| ATEX specification | | A | C | C | C | A | A | A | A |
| Nominal power | W / HP | 200 / 0.27 | 200 / 0.27 | 200 / 0.27 | 200 / 0.27 | 200 / 0.27 | 200 / 0.27 | 100 / 0.13 | 200 / 0.27 |
| Nominal speed | rpm | 8000 | 2300 | 1200 | 700 | 350 | 180 | 90 | 2) |
| Speed (idling) | rpm | 16000 | 4600 | 2400 | 1400 | 700 | 360 | 180 | 50 |
| Nominal torque | Nm / in.lbs | 0.24/2.12 | 0.8/7.08 | 1.6/14.16 | 2.7/23.9 | 5.4/47.8 | 10.6/93.81 | 10.5/92.9 | 20/177 1) |
| Start torque min. | Nm / in.lbs | 0.35/3.1 | 1.2/10.62 | 2.4/21.24 | 4.1/36.3 | 8.2/72.6 | 15.9/140.7 | 15/132.75 | 20/177 1) |
| Stall torque | Nm / in.lbs | 0.45/3.98 | 1.5/13.3 | 3/26.6 | 5.1/45.1 | 10.3/91.2 | 20/177 1) | 20/177 1) | 20/177 1) |
| Max. admissible torque | Nm / in.lbs | - | - | - | - | - | 20/177 | 20/177 | 20/177 |
| Air consumption | m ³ /min / cfm | 0.37/13.06 | 0.37/13.06 | 0.37/13.06 | 0.37/13.06 | 0.37/13.06 | 0.37/13.06 | 0.27/9.53 | 0.37/13.06 |
| Weight | kg / lbs | 0.7/1.54 | 0.75/1.65 | 0.75/1.65 | 0.85/1.87 | 0.85/1.87 | 0.85/1.87 | 0.85/1.87 | 0.95/2.09 |
| Hose I.D., supply air/exhaust air | mm /in. | 10 / 3/8 | 10 / 3/8 | 10 / 3/8 | 10 / 3/8 | 10 / 3/8 | 10 / 3/8 | 10 / 3/8 | 10 / 3/8 |
| Motor size 2.5 | | right rotation | | | | | | | |
| Series 67X- ATEX conform |  Type Part no. | 67X-0025R 3067250B | 67X-0125R 3067250C | 67X-0225R 3067250D | 67X-0725R 3067250F | 67X-0325R 3067250E | 67X-0425R 3067250A | | |
| ATEX specification | | A | C | C | C | A | A | | |
| Nominal power | W / HP | 280 / 0.38 | 280 / 0.38 | 280 / 0.38 | 280 / 0.38 | 280 / 0.38 | 280 / 0.38 | | |
| Nominal speed | rpm | 9000 | 2600 | 1350 | 750 | 395 | 200 | | |
| Speed (idling) | rpm | 18000 | 5200 | 2700 | 1500 | 790 | 400 | | |
| Nominal torque | Nm / in.lbs | 0.3 / 2.65 | 1.03 / 9.11 | 1.98 / 17.5 | 3.55 / 31.4 | 6.77 / 59.9 | 13.37/118.3 | | |
| Start torque min. | Nm / in.lbs | 0.45 / 3.98 | 1.5 / 13.3 | 2.9 / 25.7 | 5.3 / 46.9 | 10.1 / 89.4 | 20 / 177 | | |
| Stall torque | Nm / in.lbs | 0.55 / 4.9 | 1.95 / 17.3 | 3.7 / 32.7 | 6.7 / 59.3 | 12.8 / 113.3 | 20/177 1) | | |
| Max. admissible torque | Nm / in.lbs | - | - | - | - | - | 20/177 | | |
| Air consumption | m ³ /min / cfm | 0.4/14.12 | 0.4/14.12 | 0.4/14.12 | 0.4/14.12 | 0.4/14.12 | 0.4/14.12 | | |
| Weight | kg / lbs | 0.7/1.54 | 0.75/1.65 | 0.75/1.65 | 0.85/1.87 | 0.85/1.87 | 0.85/1.87 | | |
| Hose I.D., supply air/exhaust air | mm /in. | 10 / 3/8 | 10 / 3/8 | 10 / 3/8 | 10 / 3/8 | 10 / 3/8 | 10 / 3/8 | | |

Performance data relate to an air pressure of 6 bar (85 PSI) and lubricated air. With oil-free operation the output will be reduced by 10 - 20%.

- 1) Please take note of the maximum permissible torque for the gear. Please note that these motor gears are not stall-proof. If a higher application-based torque cannot be limited by the customer (e.g. by use of a slip clutch), please contact our application specialists to discuss an alternative solution.
- 2) At the maximum permissible torque of the gear, operating speed is adjusted to the region of the idle speed. This operating speed can be reduced to up to 25 % of the indicated idle speed by reducing pressure and additional exhaust air throttling. For operation at very low speeds in relation to the idle speed, we recommend the use of spring-assisted vanes (Z vanes).

| Optional Equipment | | for motor size 2.5 | |
|---|----------|---|--|
| Flange incl. mounting screws | Part no. | 4445305 | |
| Bracket incl. mounting screws | Part no. | 4445393 | |
| Silencer: motor operates in one direction (right or left rotation) | | | |
| 1 Hose nozzle | Part no. | 823238 (1/8") | |
| 1 Silencer | Part no. | 129601A (G1/8 / G1/4) | |
| Silencer: motor is reversible (right or left rotation) | | | |
| 2 Hose nozzles | Part no. | 823238 (1/8") | |
| 1 Silencer | Part no. | 129601B (G1/4) | |
| Maintenance unit with lubricator* | Part no. | 820454A G 1/4 | |
| Maintenance unit without lubricator* | Part no. | 822408A G 1/4 | |
| Replacement part set | | | |
| consisting of: vanes, sealant rings, o-rings and silencers | Part no. | 444785A / for part no. 306725(O)A, C-H 444785E / for part no. 306725(O)B | |

*) Maintenance unit consists of pressure regulator valve, filter and optionally with or without lubricator

Of course you can also purchase individual replacement parts from us. Please contact us if this is a requirement. Our standard maintenance units are not ATEX conform. Please contact us if this is a requirement

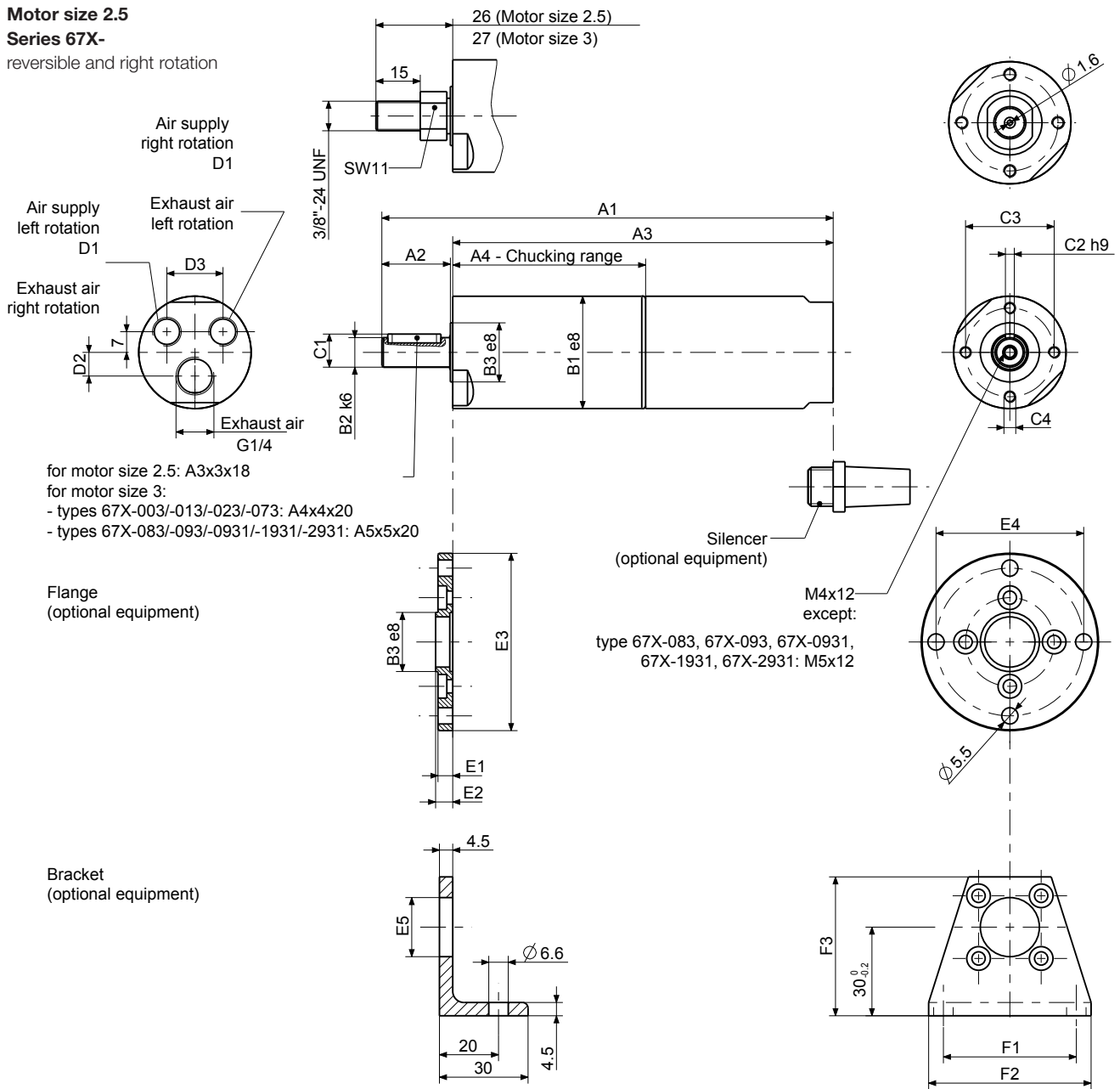
Allowable shaft loading see page 36.

Further notes for soundproofing see page 36/37.

Motor size 2.5

Series 67X-

reversible and right rotation







Dimensions in mm

p4402777

| Motor size | Series 67X- Type | | | | Dimensions of motor (mm) | | | | | | | | | | | | | |
|------------|---------------------|---------------|---------------|---------------|---------------------------|----|-------|------|----|----------------------------|----|------|----|----|----|-------------------------------|----|----|
| | | | | | A1 | A2 | A3 | A4 | B1 | B2 | B3 | C1 | C2 | C3 | C4 | D1 | D2 | D3 |
| 2.5 | 67X-0025(G,R) | 67X-0125(G,R) | 67X-0225(G,R) | | 152.5 | | 128.5 | 65 | | | | | | | | | | |
| | 67X-0725(G,R) | 67X-0325(G,R) | 67X-0425(G,R) | 67X-04251(G) | 168.8 | 23 | 144.8 | 81.3 | 38 | 10 | 20 | 11.2 | 3 | 30 | M4 | G ¹ / ₈ | 8 | 19 |
| | 67X-24251(G) | | | | 184.5 | | 160.5 | 97 | | | | | | | | | | |
| Motor size | Series 67X- Type | | | | Dimensions of flange (mm) | | | | | Dimensions of bracket (mm) | | | | | | | | |
| | | | | | B3 | E1 | E2 | E3 | E4 | E5 | F1 | F2 | F3 | | | | | |
| 2.5 | 67X-0025(G,R) | 67X-0125(G,R) | 67X-0225(G,R) | 67X-0325(G,R) | | | | | | | | | | | | | | |
| | 67X-0725(G,R) | 67X-0425(G,R) | 67X-04251(G) | 67X-24251(G) | 20 | 5 | 5.8 | 60 | 50 | 17 | 45 | 55 | 47 | | | | | |

130/300/400 W ADVANCED LINE AIR MOTOR

| Motor size 3 | | reversible | | | | | | | | | |
|---------------------------------------|---|-------------------------|-----------------------------|-----------------------------|-----------------------------|-----------------------------|-----------------------------|-----------------------------|------------------------------|------------------------------|------------------------------|
| Series 67X-ATEX conform |  | Type Part no. | 67X-003 306730A | 67X-013 306730B | 67X-023 306730C | 67X-073 306730D | 67X-083 306730E | 67X-093 306730F | 67X-0931 306730G | 67X-1931 306730K | 67X-2931 306730H |
| ATEX specification | | | A | D | C | C | A | A | A | A | A |
| Series 67X-with threaded shaft |  | Type Part no. | 67X-003G 3067307A | 67X-013G 3067307B | 67X-023G 3067307C | 67X-073G 3067307D | 67X-083G 3067307E | 67X-093G 3067307F | 67X-0931G 3067307G | 67X-1931G 3067307K | 67X-2931G 3067307H |
| ATEX specification | | | A | D | C | C | A | A | A | A | A |
| Nominal power | W / HP | | 300 / 0.4 | 300 / 0.4 | 300 / 0.4 | 300 / 0.4 | 300 / 0.4 | 300 / 0.4 | 130 / 0.17 | 300 / 0.4 | 300 / 0.4 |
| Nominal speed | rpm | | 7250 | 2300 | 1200 | 615 | 350 | 180 | 90 | 2) | 2) |
| Speed (idling) | rpm | | 14500 | 4600 | 2400 | 1230 | 700 | 360 | 180 | 100 | 50 |
| Nominal torque | Nm / in.lbs | | 0.4/3.54 | 1.2/10.62 | 2.4/21.24 | 4.65/41.15 | 8.15/72.13 | 15.9/140.7 | 13.8/122.13 | 36/318.6 ¹⁾ | 36/318.6 ¹⁾ |
| Start torque min. | Nm / in.lbs | | 0.6/5.31 | 1.9/16.8 | 3.6/31.9 | 6.95/61.5 | 12.25/108.4 | 23.8/210.6 | 21/185.85 | 36/318.6 ¹⁾ | 36/318.6 ¹⁾ |
| Stall torque | Nm / in.lbs | | 0.76/6.7 | 2.2/19.5 | 4.5/39.8 | 8.8/77.88 | 15.5/137.2 | 30.2/267.3 | 26.2/231.9 | 36/318.6 ¹⁾ | 36/318.6 ¹⁾ |
| Max. admissible torque | Nm / in.lbs | | - | - | - | - | - | - | - | 36/318.6 | 36/318.6 |
| Air consumption | m ³ /min / cfm | | 0.47/16.6 | 0.47/16.6 | 0.47/16.6 | 0.47/16.6 | 0.47/16.6 | 0.47/16.6 | 0.28/9.88 | 0.47/16.6 | 0.47/16.6 |
| Weight | kg / lbs | | 1.0/2.2 | 1.05/2.31 | 1.05/2.31 | 1.10/2.42 | 1.15/2.53 | 1.15/2.53 | 1.15/2.53 | 1.25/2.75 | 1.25/2.75 |
| Hose I.D., supply air/exhaust air | mm / in. | | 10 / 3/8 | 10 / 3/8 | 10 / 3/8 | 10 / 3/8 | 10 / 3/8 | 10 / 3/8 | 10 / 3/8 | 10 / 3/8 | 10 / 3/8 |

| Motor size 3 | | right rotation | | | | | | |
|---------------------------------------|---|-------------------------|-------------------------------|-------------------------------|-------------------------------|-------------------------------|-------------------------------|-------------------------------|
| Series 67X-ATEX conform |  | Type Part no. | 67X-003R 3067300A | 67X-013R 3067300B | 67X-023R 3067300C | 67X-073R 3067300D | 67X-083R 3067300E | 67X-093R 3067300F |
| ATEX specification | | | A | D | C | C | A | A |
| Series 67X-with threaded shaft |  | Type Part no. | 67X-003GR 30673014A | 67X-013GR 30673014B | 67X-023GR 30673014C | 67X-073GR 30673014D | 67X-083GR 30673014E | 67X-093GR 30673014F |
| ATEX specification | | | A | D | C | C | A | A |
| Nominal power | W / HP | | 400/0.54 | 400/0.54 | 400/0.54 | 400/0.54 | 400/0.54 | 400/0.54 |
| Nominal speed | rpm | | 8800 | 2550 | 1300 | 745 | 425 | 220 |
| Speed (idling) | rpm | | 17600 | 5100 | 2600 | 1490 | 850 | 440 |
| Nominal torque | Nm / in.lbs | | 0.43/3.8 | 1.5/13.3 | 2.9/18.6 | 5.1/45.1 | 9/79.65 | 17.4/154 |
| Start torque min. | Nm / in.lbs | | 0.65/5.75 | 2.2/19.5 | 4.4/38.9 | 7.65/67.7 | 13.4/118.6 | 26/230.1 |
| Stall torque | Nm / in.lbs | | 0.82/7.3 | 2.8/24.8 | 5.5/48.7 | 9.7/85.8 | 17/150.45 | 33/292.05 |
| Max. admissible torque | Nm / in.lbs | | - | - | - | - | - | - |
| Air consumption | m ³ /min / cfm | | 0.5/17.65 | 0.5/17.65 | 0.5/17.65 | 0.5/17.65 | 0.5/17.65 | 0.5/17.65 |
| Weight | kg / lbs | | 1.0/2.2 | 1.05/2.31 | 1.05/2.31 | 1.10/2.42 | 1.15/2.53 | 1.15/2.53 |
| Hose I.D., supply air/exhaust air | mm / in. | | 10 / 3/8 | 10 / 3/8 | 10 / 3/8 | 10 / 3/8 | 10 / 3/8 | 10 / 3/8 |

Performance data relate to an air pressure of 6 bar (85 PSI) and lubricated air. With oil-free operation the output will be reduced by 10 - 20%.

- Please take note of the maximum permissible torque for the gear. Please note that these motor gears are not stall-proof. If a higher application-based torque cannot be limited by the customer (e.g. by use of a slip clutch), please contact our application specialists to discuss an alternative solution.
- At the maximum permissible torque of the gear, operating speed is adjusted to the region of the idle speed. This operating speed can be reduced to up to 25 % of the indicated idle speed by reducing pressure and additional exhaust air throttling. For operation at very low speeds in relation to the idle speed, we recommend the use of spring-assisted vanes (Z vanes).

| Optional Equipment | | for motor size 3 | |
|---|----------|--|--|
| Flange incl. mounting screws | Part no. | 4446105 | |
| Bracket incl. mounting screws | Part no. | 4446112 | |
| Silencer: motor operates in one direction (right or left rotation) | | | |
| 1 Hose nozzle | Part no. | 410541 (1/4") | |
| 1 Silencer | Part no. | 129602A (2xG1/4) | |
| Silencer: motor is reversible (right or left rotation) | | | |
| 2 Hose nozzles | Part no. | 410541 (1/4") | |
| 1 Silencer | Part no. | 129601B (G1/4) | |
| Maintenance unit with lubricator* | Part no. | 820455A | |
| Connection thread | | G 1/2 | |
| Maintenance unit without lubricator* | Part no. | 822409A | |
| Connection thread | | G 1/2 | |
| Replacement part set | | | |
| consisting of: vanes, sealant rings, o-rings and silencers | Part no. | 444786A / for part no. 306730(0)B-K 444786L / for part no. 306730(0)A | |

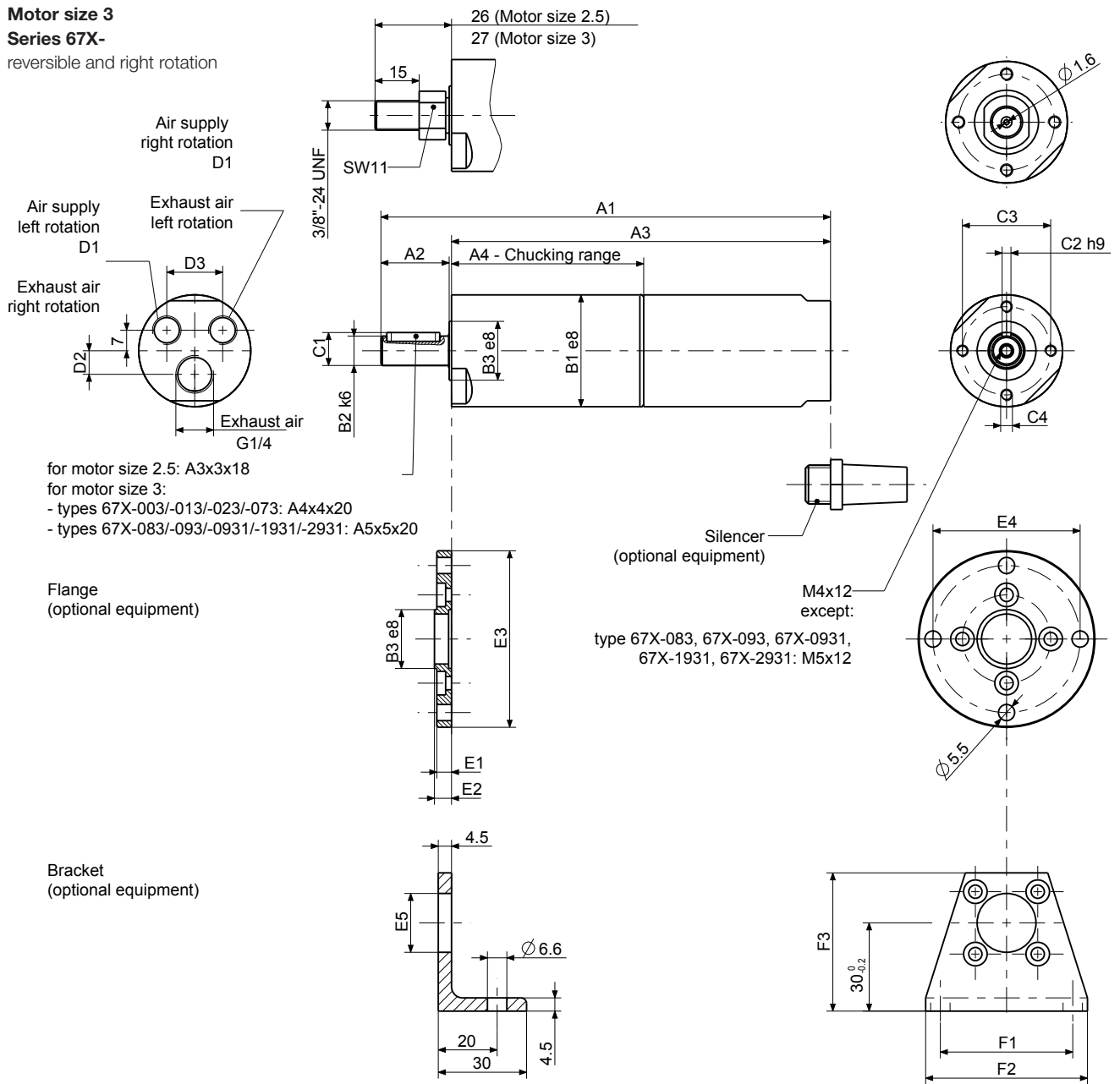
*) Maintenance unit consists of pressure regulator valve, filter and optionally with or without lubricator

Of course you can also purchase individual replacement parts from us. Please contact us if this is a requirement. Our standard maintenance units are not ATEX conform. Please contact us if this is a requirement

Allowable shaft loading see page 36.

Further notes for soundproofing see page 36/37.

Motor size 3
Series 67X-
 reversible and right rotation





Dimensions in mm

p4402777

| Motor size | Series 67X- Type | | | Dimensions of motor (mm) | | | | | | | | | | | | | | |
|------------|---------------------|--------------|---------------|---------------------------|----|-----|----|----|----------------------------|----|----|----|----|----|----|----|----|--|
| | | | | A1 | A2 | A3 | A4 | B1 | B2 | B3 | C1 | C2 | C3 | C4 | D1 | D2 | D3 | |
| 3 | 67X-003(G,R) | 67X-013(G,R) | 67X-023(G,R) | 171 | | 143 | 66 | | | | | | | | | | | |
| | 67X-073(G,R) | | | 187 | 27 | 159 | 83 | 42 | | 12 | | | | | | | | |
| | 67X-083(G,R) | 67X-093(G,R) | 67X-0931(G,R) | 191 | | | | | | | 24 | | | | | | | |
| | 67X-1931(G) | 67X-2931(G) | | 196 | 30 | 164 | | | | 14 | | | | | | | | |
| Motor size | Series 67X- Type | | | Dimensions of flange (mm) | | | | | Dimensions of bracket (mm) | | | | | | | | | |
| | | | | B3 | E1 | E2 | E3 | E4 | E5 | F1 | F2 | F3 | | | | | | |
| 3 | 67X-003(G,R) | 67X-013(G,R) | 67X-023(G,R) | | | | | | | | | | | | | | | |
| | 67X-073(G,R) | 67X-083(G,R) | 67X-093(G,R) | 24 | 6 | 6.8 | 65 | 55 | 21 | 50 | 60 | 48 | | | | | | |
| | 67X-0931(G) | 67X-1931(G) | 67X-2931(G) | | | | | | | | | | | | | | | |
| | | | | | | | | | | | | | | | | | | |

300/400 W ADVANCED LINE AIR MOTOR with high torque

| Motor size 3 with high torque | | reversible | | | | |
|-----------------------------------|---|----------------------------------|----------------------------------|----------------------------------|----------------------------------|----------------------------------|
| Series 67- ATEX conform |  Type Part no. | 67X-613 306730I | 67X-623 306730L | 67X-673 306730M | 67X-413 306730N | 67X-423 306730O |
| ATEX specification | | A | A | A | A | A |
| Nominal power | W / HP | 300 / 0.4 | 300 / 0.4 | 300 / 0.4 | 300 / 0.4 | 300 / 0.4 |
| Nominal speed | rpm | 85 | 45 | 25 | 13 | 7 |
| Speed (idling) | rpm | 170 | 90 | 50 | 26 | 14 |
| Nominal torque | Nm / in.lbs | 33.7 / 298.2 | 63.6 / 562.9 | 114.5 / 1013.3 | 220 / 1947 | 410 / 3628.5 |
| Start torque min. | Nm / in.lbs | 50.5 / 446.9 | 95.4 / 844.3 | 171.5 / 1517.8 | 330 / 2920.5 | 600/5310 ¹⁾ |
| Stall torque | Nm / in.lbs | 64 / 566.4 | 120.9 / 1070 | 217 / 1920.45 | 418 / 3699.3 | 600/5310 ¹⁾ |
| Max. admissible torque | Nm / in.lbs | - | - | - | - | 600 / 5310 |
| Air consumption | m ³ /min / cfm | 0.47 / 16.6 | 0.47 / 16.6 | 0.47 / 16.6 | 0.47 / 16.6 | 0.47 / 16.6 |
| Weight | kg / lbs | 2.7 / 5.94 | 2.6 / 5.72 | 2.9 / 6.38 | 3.5 / 7.7 | 3.5 / 7.7 |
| Hose I.D., supply air/exhaust air | mm / in. | 10 / ³ / ₈ | 10 / ³ / ₈ | 10 / ³ / ₈ | 10 / ³ / ₈ | 10 / ³ / ₈ |
| Motor size 3 with high torque | | right rotation | | | | |
| Series 67- ATEX conform |  Type Part no. | 67X-613R 3067300I | 67X-623R 3067300L | 67X-673R 3067300M | 67X-413R 3067300N | 67X-423R 3067300O |
| ATEX specification | | A | A | A | A | A |
| Nominal power | W / HP | 400/0.54 | 400/0.54 | 400/0.54 | 400/0.54 | 400/0.54 |
| Nominal speed | rpm | 105 | 55 | 31 | 15 | 8 |
| Speed (idling) | rpm | 210 | 110 | 62 | 30 | 16 |
| Nominal torque | Nm / in.lbs | 36.3/321.25 | 69.4/614.2 | 123.2/1090 | 254/2248 | 477/4221.45 |
| Start torque min. | Nm / in.lbs | 54.5/482.3 | 104/920.4 | 184.4/1631.94 | 382/3380.7 | 600/5310 ¹⁾ |
| Stall torque | Nm / in.lbs | 69/610.65 | 132/1168.2 | 234/2070.9 | 483.8/4281.63 | 600/5310 ¹⁾ |
| Max. admissible torque | Nm / in.lbs | - | - | - | - | 600/5310 |
| Air consumption | m ³ /min / cfm | 0.5/17.65 | 0.5/17.65 | 0.5/17.65 | 0.5/17.65 | 0.5/17.65 |
| Weight | kg / lbs | 2.7 / 5.94 | 2.6 / 5.72 | 2.9 / 6.38 | 3.5 / 7.7 | 3.5 / 7.7 |
| Hose I.D., supply air/exhaust air | mm / in. | 10 / ³ / ₈ | 10 / ³ / ₈ | 10 / ³ / ₈ | 10 / ³ / ₈ | 10 / ³ / ₈ |

Performance data relate to an air pressure of 6 bar (85 PSI) and lubricated air. With oil-free operation the output will be reduced by 10 - 20%.

¹⁾ Please take note of the maximum permissible torque for the gear. Please note that these motor gears are not stall-proof. If a higher application-based torque cannot be limited by the customer (e.g. by use of a slip clutch), please contact our application specialists to discuss an alternative solution.

| Optional Equipment | | for motor size 3 | |
|---|----------|--|--|
| Flange incl. mounting screws | Part no. | 4134632 | |
| Bracket incl. mounting screws | Part no. | 44461738 | |
| Silencer: motor operates in one direction (right or left rotation) | | | |
| 1 Hose nozzle | Part no. | 410541 (1/4") | |
| 1 Silencer | Part no. | 129602A (2xG1/4) | |
| Silencer: motor is reversible (right or left rotation) | | | |
| 2 Hose nozzles | Part no. | 410541 (1/4") | |
| 1 Silencer | Part no. | 129601B (G1/4) | |
| Maintenance unit with lubricator* | Part no. | 820455A | |
| Connection thread | | G 1/2 | |
| Maintenance unit without lubricator* | Part no. | 822409A | |
| Connection thread | | G 1/2 | |
| Replacement part set consisting of: vanes, sealant rings, o-rings and silencers | Part no. | 444786O for part no. 306730(O)I,L,M 444786C for part no. 306730(O)N,O | |

*) Maintenance unit consists of pressure regulator valve, filter and optionally with or without lubricator

Of course you can also purchase individual replacement parts from us. Our standard maintenance units are not ATEX conform. Please contact us if this is a requirement.

Allowable shaft loading see page 36.

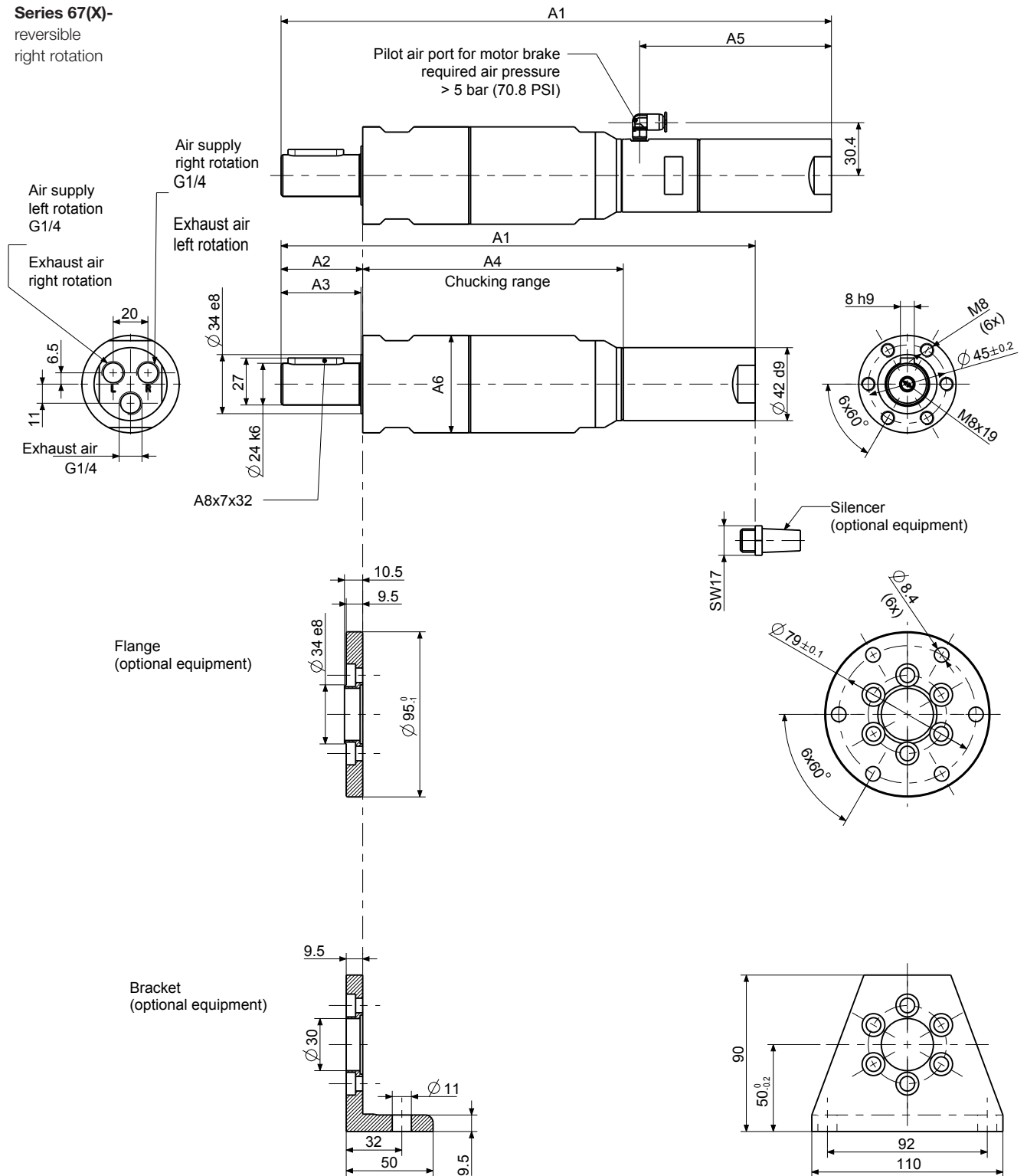
Further notes for soundproofing see page 36/37.

Notes to the pressure regulator valve for our ATEX conform brake motors, please find on page 38.

Motor size 3 High torque stainless steel motors

Series 67(X)-

reversible
right rotation




Dimensions in mm

p444204

| Motor size | Series 67(X)- | | Dimensions of motor (mm) | | | | | |
|------------|---------------|------------|--------------------------|----|----|-------|----|------|
| | Type | Type | A1 | A2 | A3 | A4 | A5 | A6 |
| 3 | 67X-613(R) | 67X-623(R) | 257.1 | 44 | 43 | 134.1 | - | 56e8 |
| | 67X-673(R) | | 272.9 | 47 | 46 | 149.9 | - | 63h8 |
| | 67X-413(R) | 67X-423(R) | 279.2 | 47 | 46 | 156.2 | - | 63h8 |

300 W ADVANCED LINE HIGH TORQUE MOTORS with integrated holding brake

| Motor size 3 with holding brake | | reversible | | | | |
|---|--|----------------------------------|----------------------------------|----------------------------------|----------------------------------|----------------------------------|
| Series 67- ATEX conform |  Type Part no. | 67X-613B 1030291P | 67X-623B 1030291R | 67X-673B 1030291S | 67X-413B 1030291N | 67X-423B 1030291O |
| ATEX specification | | A | A | A | A | A |
| Series 67- without ATEX authorization | Type Part no. | 67-613B-1 103029P | 67-623B-1 103029R | 67-673B-1 103029S | 67-413B-1 103029N | 67-423B-1 103029O |
| Nominal power | W / HP | 300 / 0.4 | 300 / 0.4 | 300 / 0.4 | 300 / 0.4 | 300 / 0.4 |
| Nominal speed | rpm | 85 | 45 | 25 | 13 | 7 |
| Speed (idling) | rpm | 170 | 90 | 50 | 26 | 14 |
| Nominal torque | Nm / in.lbs | 33.7 / 298.2 | 63.6 / 562.9 | 114.5 / 1013.3 | 220 / 1947 | 410 / 3628.5 |
| Start torque min. | Nm / in.lbs | 50.5 / 446.9 | 95.4 / 844.29 | 171.5 / 1517.8 | 330 / 2920.5 | 600/5310 ¹⁾ |
| Stall torque | Nm / in.lbs | 64 / 566.4 | 120.9 / 1070 | 217 / 1920.45 | 418 / 3699.3 | 600/5310 ¹⁾ |
| Max. admissible torque | Nm / in.lbs | - | - | - | - | 600 / 5310 |
| Brake torque | Nm / in.lbs | 82 / 725.7 | 160 / 1416 | 282 / 2495.7 | 554 / 4902.9 | - |
| Air consumption | m ³ /min / cfm | 0.47 / 16.6 | 0.47 / 16.6 | 0.47 / 16.6 | 0.47 / 16.6 | 0.47 / 16.6 |
| Weight | kg / lbs | 3.1 / 6.82 | 3 / 6.6 | 3.3 / 7.26 | 3.9 / 8.58 | 3.9 / 8.58 |
| Hose I.D., supply air/exhaust air | mm / in. | 10 / ³ / ₈ | 10 / ³ / ₈ | 10 / ³ / ₈ | 10 / ³ / ₈ | 10 / ³ / ₈ |

Performance data relate to an air pressure of 6 bar (85 PSI) and lubricated air. With oil-free operation the output will be reduced by 10 - 20%.

¹⁾ Please take note of the maximum permissible torque for the gear. Please note that these motor gears are not stall-proof. If a higher application-based torque cannot be limited by the customer (e.g. by use of a slip clutch), please contact our application specialists to discuss an alternative solution.

| Optional Equipment | for motor size 3 | |
|--|------------------|--|
| Flange incl. mounting screws | Part no. | 4134632 |
| Bracket incl. mounting screws | Part no. | 44461738 |
| Silencer: motor operates in one direction (right or left rotation) | | |
| 1 Hose nozzle | Part no. | 410541 (1/4") |
| 1 Silencer | Part no. | 129602A (2xG1/4) |
| Silencer: motor is reversible (right or left rotation) | | |
| 2 Hose nozzles | Part no. | 410541 (1/4") |
| 1 Silencer | Part no. | 129601B (G1/4) |
| Maintenance unit with lubricator* | Part no. | 820455A |
| Connection thread | | G 1/2 |
| Maintenance unit without lubricator* | Part no. | 822409A |
| Connection thread | | G 1/2 |
| Replacement part set consisting of: vanes, sealant rings, o-rings and silencers | Part no. | 444786O for part no. 103029(1)P,R,S 444786C for part no. 103029(1)N,O |
| Replacement part set for brake consisting of: discs, pressure spring and o-rings | Part no. | 446096C |

* Maintenance unit consists of pressure regulator valve, filter and optionally with or without lubricator

Of course you can also purchase individual replacement parts from us. Our standard maintenance units are not ATEX conform. Please contact us if this is a requirement.

Allowable shaft loading see page 36.

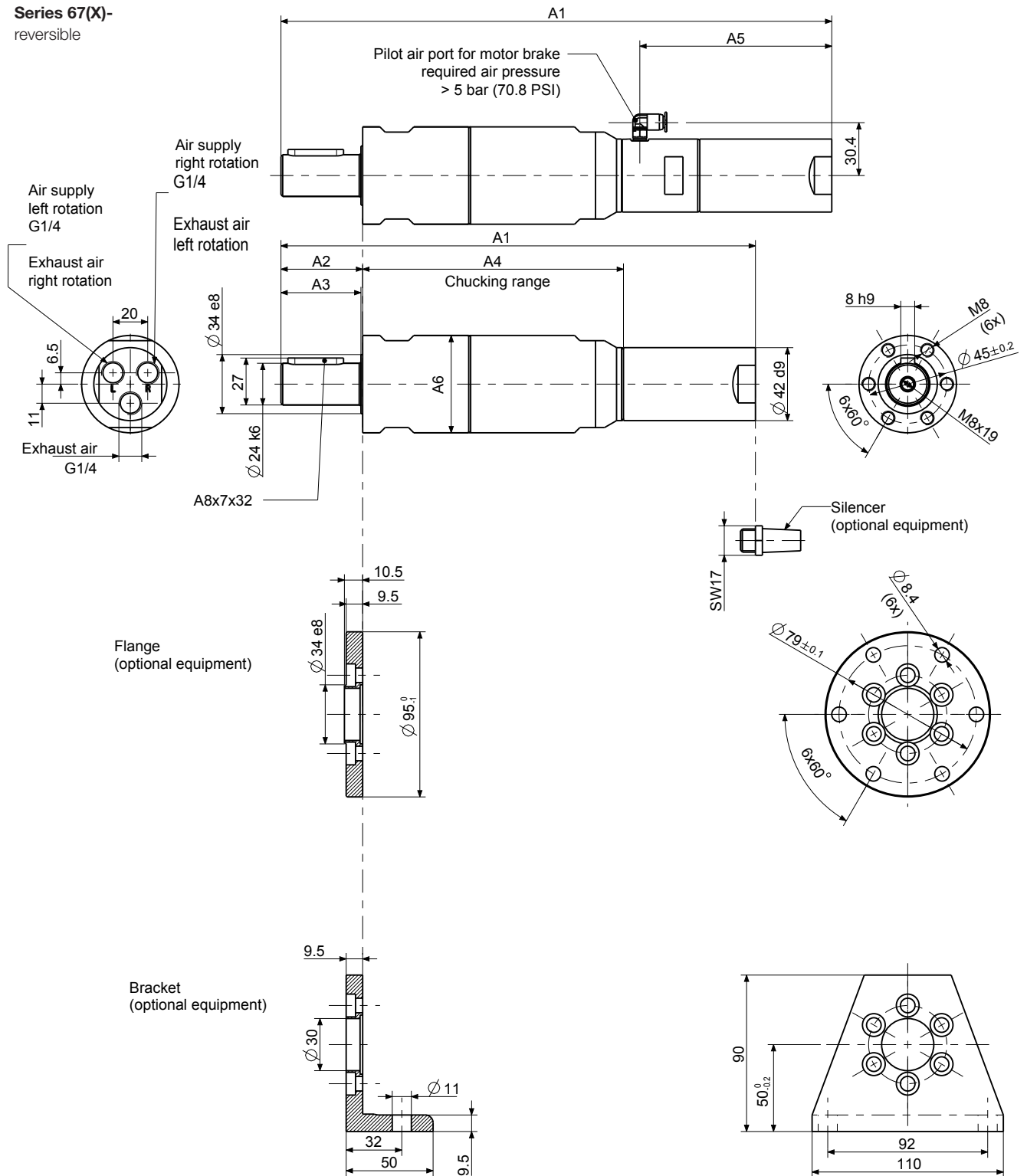
Further notes for soundproofing see page 36/37.

Notes to the pressure regulator valve for our ATEX conform brake motors, please find on page 38.

Motor size 3 High torque stainless steel motors

Series 67(X)-

reversible



Dimensions in mm

p444204

| Motor size | Series 67(X)- | | Dimensions of motor (mm) | | | | | |
|------------|----------------|----------------|--------------------------|----|----|-------|-------|------|
| | Type | Type | A1 | A2 | A3 | A4 | A5 | A6 |
| 3 | 67(X)-613B(-1) | 67(X)-623B(-1) | 300.1 | 44 | 43 | 134.1 | | 56e8 |
| | 67(X)-673B(-1) | | 316.8 | | | 149.9 | 110.4 | |
| | 67(X)-413B(-1) | 67(X)-423B(-1) | 316.8 | 47 | 46 | 156.2 | | 63h8 |

100/130/200/300 W ADVANCED LINE AIR MOTOR with integrated holding brake

| Motor size 2.5 with holding brake | | reversible | | | | | | | |
|-----------------------------------|-------------------------|-----------------------|-----------------------|-----------------------|-----------------------|-----------------------|-----------------------|------------------------|------------------------|
| Series 67- ATEX conform | Type Part no. | 67X-0025B 1073991B | 67X-0125B 1073991C | 67X-0225B 1073991D | 67X-0725B 1073991F | 67X-0325B 1073991E | 67X-0425B 1073991A | 67X-04251B 1073991G | 67X-24251B 1073991H |
| ATEX specification | | A | C | C | C | A | A | A | A |
| Nominal power | W/HP | 200/0.27 | 200/0.27 | 200/0.27 | 200/0.27 | 200/0.27 | 200/0.27 | 100/0.134 | 200/0.27 |
| Nominal speed | rpm | 8000 | 2300 | 1200 | 700 | 350 | 180 | 90 | 2) |
| Speed (idling) | rpm | 16000 | 4600 | 2400 | 1400 | 700 | 360 | 180 | 50 |
| Nominal torque | Nm/in.lbs | 0.24/2.12 | 0.8/7.08 | 1.6/14.16 | 2.7/23.9 | 5.4/47.8 | 10.6/93.8 | 10.5/92.9 | 20/177 1) |
| Start torque min. | Nm/in.lbs | 0.35/3.1 | 1.2/10.6 | 2.4/21.2 | 4.1/36.3 | 8.2/72.6 | 15.9/140.7 | 15/132.75 | 20/1177 1) |
| Stall torque | Nm/in.lbs | 0.45/3.98 | 1.5/13.275 | 3/26.55 | 5.1/45.135 | 10.3/91.155 | - | - | 20/177 1) |
| Max. admissible torque | Nm/in.lbs | - | - | - | - | 20/177 | 20/177 | 20/177 | 20/177 |
| Brake torque | Nm/in.lbs | 1/8.85 | 3.4/30.1 | 6.7/59.3 | 11.8/104.43 | - | - | - | - |
| Air consumption | m ³ /min/cfm | 0.37/13.06 | 0.37/13.06 | 0.37/13.06 | 0.37/13.06 | 0.37/13.06 | 0.37/13.06 | 0.27/9.53 | 0.37/13.06 |
| Weight | kg/lbs | 1/2.2 | 1.05/2.31 | 1.05/2.31 | 1.15/2.53 | 1.15/2.53 | 1.15/2.53 | 1.36/3 | 1.36/3 |
| Hose I.D., supply air/exhaust air | mm/in. | 10 / 3/8 | 10 / 3/8 | 10 / 3/8 | 10 / 3/8 | 10 / 3/8 | 10 / 3/8 | 10 / 3/8 | 10 / 3/8 |

| Motor size 3 with holding brake | | reversible | | | | | | | | |
|-----------------------------------|-------------------------|----------------------|----------------------|----------------------|----------------------|----------------------|----------------------|-----------------------|-----------------------|-----------------------|
| Series 67- ATEX conform | Type Part no. | 67X-003B 1030291A | 67X-013B 1030291B | 67X-023B 1030291C | 67X-073B 1030291D | 67X-083B 1030291E | 67X-093B 1030291F | 67X-0931B 1030291G | 67X-1931B 1030291K | 67X-2931B 1030291H |
| ATEX specification | | A | D | C | C | A | A | A | A | A |
| Nominal power | W/HP | 300/0.4 | 300/0.4 | 300/0.4 | 300/0.4 | 300/0.4 | 300/0.4 | 130/0.174 | 300/0.4 | 300/0.4 |
| Nominal speed | rpm | 7250 | 2300 | 1200 | 615 | 350 | 180 | 90 | 2) | 2) |
| Speed (idling) | rpm | 14500 | 4600 | 2400 | 1230 | 700 | 360 | 180 | 100 | 50 |
| Nominal torque | Nm/in.lbs | 0.4/3.54 | 1.2/10.6 | 2.4/21.2 | 4.65/41.15 | 8.15/72.13 | 15.9/140.7 | 13.8/122.13 | 36/318.6 1) | 36/318.6 1) |
| Start torque min. | Nm/in.lbs | 0.6/5.3 | 1.9/16.8 | 3.6/31.86 | 6.95/61.5 | 12.25/108.4 | 23.9/211.5 | 21/185.85 | 36/318.6 1) | 36/318.6 1) |
| Stall torque | Nm/in.lbs | 0.76/6.73 | 2.2/19.5 | 4.5/39.8 | 8.8/77.88 | 15.2/134.52 | 30.2/267.27 | 26.2/231.87 | 36/318.6 1) | 36/318.6 1) |
| Max. admissible torque | Nm/in.lbs | - | - | - | - | - | 36/318.6 | 36/318.6 | 36/318.6 | 36/318.6 |
| Brake torque | Nm/in.lbs | 1/8.85 | 3.4/30.1 | 6.7/59.3 | 11.8/104.43 | 20.6/182.31 | - | - | - | - |
| Air consumption | m ³ /min/cfm | 0.47/16.6 | 0.47/16.6 | 0.47/16.6 | 0.47/16.6 | 0.47/16.6 | 0.47/16.6 | 0.28/9.88 | 0.47/16.6 | 0.47/16.6 |
| Weight | kg/lbs | 1.35/2.97 | 1.4/3.08 | 1.4/3.08 | 1.45/3.19 | 1.5/3.3 | 1.5/3.3 | 1.7/3.74 | 1.8/1.76 | 1.8/1.76 |
| Hose I.D., supply air/exhaust air | mm/in. | 10 / 3/8 | 10 / 3/8 | 10 / 3/8 | 10 / 3/8 | 10 / 3/8 | 10 / 3/8 | 10 / 3/8 | 10 / 3/8 | 10 / 3/8 |

Performance data relate to an air pressure of 6 bar (85 PSI) and lubricated air. With oil-free operation the output will be reduced by 10 - 20%.

1) Please take note of the maximum permissible torque for the gear. Please note that these motor gears are not stall-proof. If a higher application-based torque cannot be limited by the customer (e.g. by use of a slip clutch), please contact our application specialists to discuss an alternative solution.

2) At the maximum permissible torque of the gear, operating speed is adjusted to the region of the idle speed. This operating speed can be reduced to up to 25 % of the indicated idle speed by reducing pressure and additional exhaust air throttling. For operation at very low speeds in relation to the idle speed, we recommend the use of spring-assisted vanes (Z vanes).

| Optional Equipment: | | for motor size 2.5 | for motor size 3 |
|---|----------|--|--|
| Flange incl. mounting screws | Part no. | 4445305 | 4446105 |
| Bracket incl. mounting screws | Part no. | 4445393 | 4446112 |
| Silencer: motor operates in one direction (right or left rotation) | | | |
| 1 Hose nozzle | Part no. | 823238 (1/8") | 410541 (1/4") |
| 1 Silencer | Part no. | 129601A (G1/8/G1/4) | 129602A (2xG1/4) |
| Silencer: Motor is reversible (right or left rotation) | | | |
| 2 Hose nozzles | Part no. | 823238 (1/8") | 410541 (1/4") |
| 1 Silencer | Part no. | 129601B (G1/4) | 129601B (G1/4) |
| Maintenance unit with lubricator* | | | |
| Connection thread | Part no. | 820454A G 1/4 | 820455A G 1/2 |
| Maintenance unit without lubricator* | | | |
| Connection thread | Part no. | 822408A G 1/4 | 822409A G 1/2 |
| Replacement part set consisting of: | | | |
| vanes, sealant rings, o-rings and silencers | Part no. | 444785A for part no. 107399(1)A,C-H 444785E for part no. 107399(1)B | 444786A for part no. 103029(1)B-H,K 444786L for part no. 103029(1)A |
| Replacement part set for brake consisting of: | | | |
| discs, pressure spring and o-rings | Part no. | 446096C | 446096C |

* Maintenance unit consists of pressure regulator valve, filter and optionally with or without lubricator

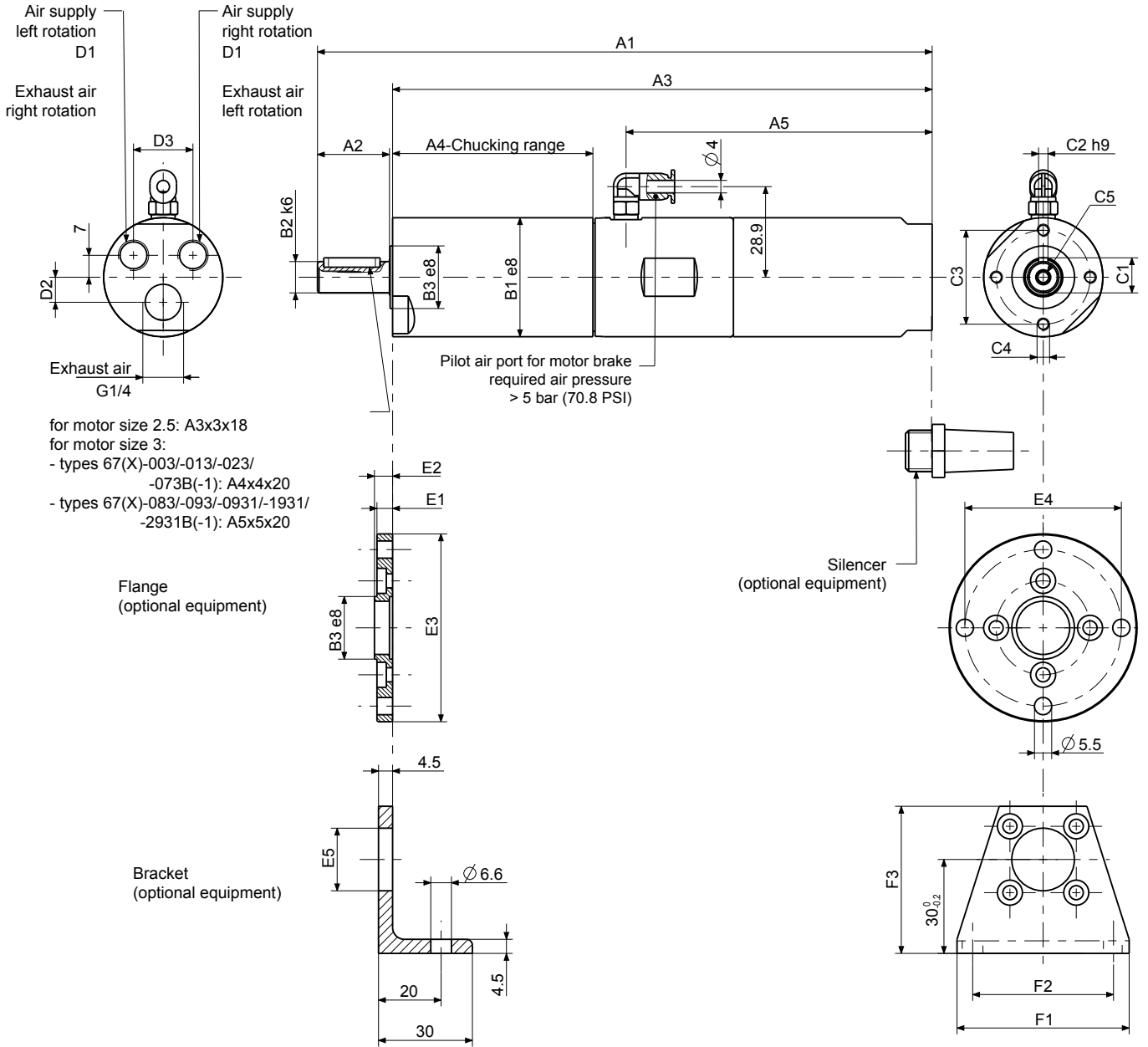
Of course you can also purchase individual replacement parts from us. Our standard maintenance units are not ATEX conform. Please contact us if this is a requirement.

Allowable shaft loading see page 36.

Further notes for soundproofing see page 36/37.

Notes to the pressure regulator valve for our ATEX conform brake motors, please find on page 38.

Motor size 2.5 and Motor size 3 with holding brake, Series 67(X)-, reversible






p4134552

Dimensions in mm

| Motor size | Series 67(X)- Type | | | Dimensions of motor (mm) | | | | | | | | | | | | | | | |
|------------|-----------------------|-----------------|-----------------|---------------------------|----|-----|----|-----|----------------------------|----|----|------|----|----|-------|-------|------|----|----|
| | | | | A1 | A2 | A3 | A4 | A5 | B1 | B2 | B3 | C1 | C2 | C3 | C4 | C5 | D1 | D2 | D3 |
| 2.5 | 67(X)-0025B(-1) | 67(X)-0125B(-1) | 67(X)-0225B(-1) | 196 | | 172 | 64 | | | | | | | | | | | | |
| | 67(X)-0725B(-1) | 67(X)-0325B(-1) | 67(X)-0425B(-1) | 212 | 23 | 188 | 80 | 98 | 38 | 10 | 20 | 11.2 | 3 | 30 | M4 | M4x12 | G1/8 | 8 | 19 |
| | 67(X)-24251B(-1) | | | 228 | | 204 | 96 | | | | | | | | | | | | |
| 3 | 67(X)-003B(-1) | 67(X)-013B(-1) | 67(X)-023B(-1) | 215 | | 187 | 67 | | | | | | | | | | | | |
| | 67(X)-073B(-1) | | | 231 | 27 | | | | | | | | | | M4x12 | | | | |
| | 67(X)-083B(-1) | 67(X)-093B(-1) | 67(X)-0931B(-1) | 235 | 30 | 203 | 83 | 110 | 42 | | 24 | | 34 | M5 | | G1/4 | 11 | 20 | |
| | 67(X)-1931B(-1) | 67(X)-2931B(-1) | | 250 | 30 | 218 | 82 | | | | 14 | 16 | 5 | | M5x12 | | | | |
| Motor size | Series 67(X)- Type | | | Dimensions of flange (mm) | | | | | Dimensions of bracket (mm) | | | | | | | | | | |
| | | | | B3 | E1 | E2 | E3 | E4 | E5 | F1 | F2 | F3 | | | | | | | |
| 2.5 | 67(X)-0025B(-1) | 67(X)-0125B(-1) | 67(X)-0225B(-1) | | | | | | | | | | | | | | | | |
| | 67(X)-0725B(-1) | 67(X)-0325B(-1) | 67(X)-0425B(-1) | 20 | 5 | 5.8 | 60 | 50 | 17 | 55 | 45 | 47 | | | | | | | |
| | 67(X)-24251B(-1) | | | | | | | | | | | | | | | | | | |
| 3 | 67(X)-003B(-1) | 67(X)-013B(-1) | 67(X)-023B(-1) | | | | | | | | | | | | | | | | |
| | 67(X)-073B(-1) | | | | | | | | | | | | | | | | | | |
| | 67(X)-083B(-1) | 67(X)-093B(-1) | 67(X)-0931B(-1) | 24 | 6 | 6.8 | 65 | 55 | 21 | 60 | 50 | 48 | | | | | | | |
| | 67(X)-1931B(-1) | 67(X)-2931B(-1) | | | | | | | | | | | | | | | | | |

300/600/850 W ADVANCED LINE AIR MOTOR ATEX conform/without ATEX authorization for drill-chuck

| Motor size 6 | | reversible | | | | | | | | | |
|---|---|----------------|-----------------|-----------------|------------------|------------------|------------------|------------------|------------------|------------------|-------------------|
| Series 67X- ATEX conform |  | Type | 67X-006 | 67X-086 | 67X-016 | 67X-026 | 67X-036 | 67X-046 | 67X-056 | 67X-066 | 67X-0661 |
| | | Part no. | 306760A | 306760N | 306760H | 306760B | 306760C | 306760D | 306760E | 306760F | 306760G |
| ATEX specification | | | A | A | D | C | C | A | A | A | A |
| Series 67X- with threaded shaft ATEX conform |  | Type | - | - | 67X-016G | 67X-026G | 67X-036G | 67X-046G | - | - | - |
| | | Part no. | - | - | 1141327H | 1141327B | 1141327C | 1141327D | - | - | - |
| ATEX specification | | | - | - | D | C | C | A | - | - | - |
| Series 67- without ATEX authorization for drill-chuck | | Type | - | - | 67-016B16 | 67-026B16 | 67-036B16 | 67-046B16 | 67-056B16 | 67-066B16 | 67-0661B16 |
| | | Part no. | - | - | 114132H | 114132B | 114132C | 114132D | 114132E | 114132F | 114132G |
| Nominal power | W / HP | | 600/0.8 | 600/0.8 | 600/0.8 | 600/0.8 | 600/0.8 | 600/0.8 | 600/0.8 | 600/0.8 | 300/0.4 |
| Nominal speed | rpm | | 6750 | 2750 | 2000 | 1500 | 1000 | 350 | 250 | 170 | 90 |
| Speed (idling) | rpm | | 13500 | 5500 | 4000 | 3000 | 2000 | 700 | 500 | 340 | 180 |
| Nominal torque | Nm / in.lbs | | 0.85/7.5 | 2/17.7 | 2.8/24.78 | 3.8/33.63 | 5.7/50.44 | 16.3/144.3 | 22.9/202.7 | 33.7/298.25 | 31.8/281.43 |
| Start torque min. | Nm / in.lbs | | 1.25/11.06 | 3.1/27.435 | 4.3/38.055 | 5.7/50.445 | 8.5/75.225 | 24.5/216.825 | 34.3/303.55 | 50.6/447.81 | 47.7/422.15 |
| Stall torque | Nm / in.lbs | | 1.6/14.16 | 3.9/34.5 | 5.4/47.8 | 7.2/63.72 | 10.8/95.58 | 31.1/275.24 | 43.5/385 | 64/566.4 | 60.4/534.54 |
| Air consumption | m ³ /min / cfm | | 0.85/30 | 0.85/30 | 0.85/30 | 0.85/30 | 0.85/30 | 0.85/30 | 0.85/30 | 0.85/30 | 0.55/19.4 |
| Weight | kg / lbs | | 2.2/4.84 | 2.7/5.94 | 2.3/5.06 | 2.3/5.06 | 2.3/5.06 | 2.6/5.72 | 2.7/5.94 | 2.7/5.94 | 2.7/5.94 |
| Hose I.D., supply air/exhaust air | mm / in. | | 12 / 1/2 | 12 / 1/2 | 12 / 1/2 | 12 / 1/2 | 12 / 1/2 | 12 / 1/2 | 12 / 1/2 | 12 / 1/2 | 12 / 1/2 |
| Motor size 6 | | right rotation | | | | | | | | | |
| Series 67X- ATEX conform |  | Type | 67X-006R | 67X-086R | 67X-016R | 67X-026R | 67X-036R | 67X-046R | 67X-056R | 67X-066R | |
| | | Part no. | 3067600A | 3067600N | 3067600H | 3067600B | 3067600C | 3067600D | 3067600E | 3067600F | |
| ATEX specification | | | A | A | D | C | C | A | A | A | |
| Nominal power | W / HP | | 850 | 850/1.14 | 850/1.14 | 850/1.14 | 850/1.14 | 850/1.14 | 850/1.14 | 850/1.14 | |
| Nominal speed | rpm | | 7250 | 2985 | 2100 | 1650 | 1075 | 375 | 275 | 180 | |
| Speed (idling) | rpm | | 14500 | 5970 | 4200 | 3300 | 2150 | 750 | 550 | 360 | |
| Nominal torque | Nm / in.lbs | | 1.12/9.9 | 2.7/23.9 | 3.9/34.5 | 4.9/43.4 | 7.6/67.3 | 21.6/191.2 | 29.5/261.1 | 45.1/399.1 | |
| Start torque min. | Nm / in.lbs | | 1.68/14.9 | 4.1/36.3 | 5.8/51.3 | 7.4/65.5 | 11.3/100 | 32.5/287.6 | 44.3/392.1 | 67.6/598.3 | |
| Stall torque | Nm / in.lbs | | 2.13/18.85 | 5.2/46.02 | 7.3/64.6 | 9.3/82.3 | 14.3/126.5 | 41.1/363.7 | 56.1/496.5 | 85.7/758.4 | |
| Air consumption | m ³ /min / cfm | | 0.85/30 | 0.85/30 | 0.85/30 | 0.85/30 | 0.85/30 | 0.85/30 | 0.85/30 | 0.85/30 | |
| Weight | kg / lbs | | 2.2/4.84 | 2.7/5.94 | 2.3/5.1 | 2.3/5.1 | 2.3/5.1 | 2.6/5.72 | 2.7/5.94 | 2.7/5.94 | |
| Hose I.D., supply air/exhaust air | mm / in. | | 12 / 1/2 | 12 / 1/2 | 12 / 1/2 | 12 / 1/2 | 12 / 1/2 | 12 / 1/2 | 12 / 1/2 | 12 / 1/2 | |

Performance data relate to an air pressure of 6 bar (85 PSI) and lubricated air. With oil-free operation the output will be reduced by 10 - 20%.

| Optional Equipment: | for motor size 6 | |
|---|------------------|--|
| Flange incl. mounting screws | Part no. | 4446166 |
| Bracket incl. mounting screws | Part no. | 4446176 |
| Silencer: motor operates in one direction (right or left rotation) | | |
| 1 Hose nozzle | Part no. | 410540 (3/8") |
| 1 Silencer | Part no. | 129563A (G ^{3/8} /G ^{1/2} **) |
| Silencer: Motor is reversible (right or left rotation) | | |
| 2 Hose nozzles | Part no. | 410540 (3/8") |
| 1 Silencer | Part no. | 129563B (G ^{1/2}) |
| Drill-Chuck | | |
| Range 1 - 13 mm / B 16 | Part no. | 804652 |
| Quick change chuck | | |
| Range 1 - 13 mm / B 16 | Part no. | 804663 |
| Maintenance unit with lubricator* | Part no. | 820455A |
| Connection thread | | G 1/2 |
| Maintenance unit without lubricator* | Part no. | 822409A |
| Connection thread | | G 1/2 |
| Replacement part set consisting of: vanes, sealant rings, o-rings and silencers | Part no. | 444787A for part no. 306760B-D,H/for part no. 3067600B-D,H/for part no. 114132B-D, H |
| | Part no. | 444787B for part no. 306760E-G/for part no. 3067600E-F/ for part no. 114132E-G |
| | | 444787H for part no. 306760A,N/for part no. 3067600A,N |

*) Maintenance unit consists of pressure regulator valve, filter and optionally with or without lubricator

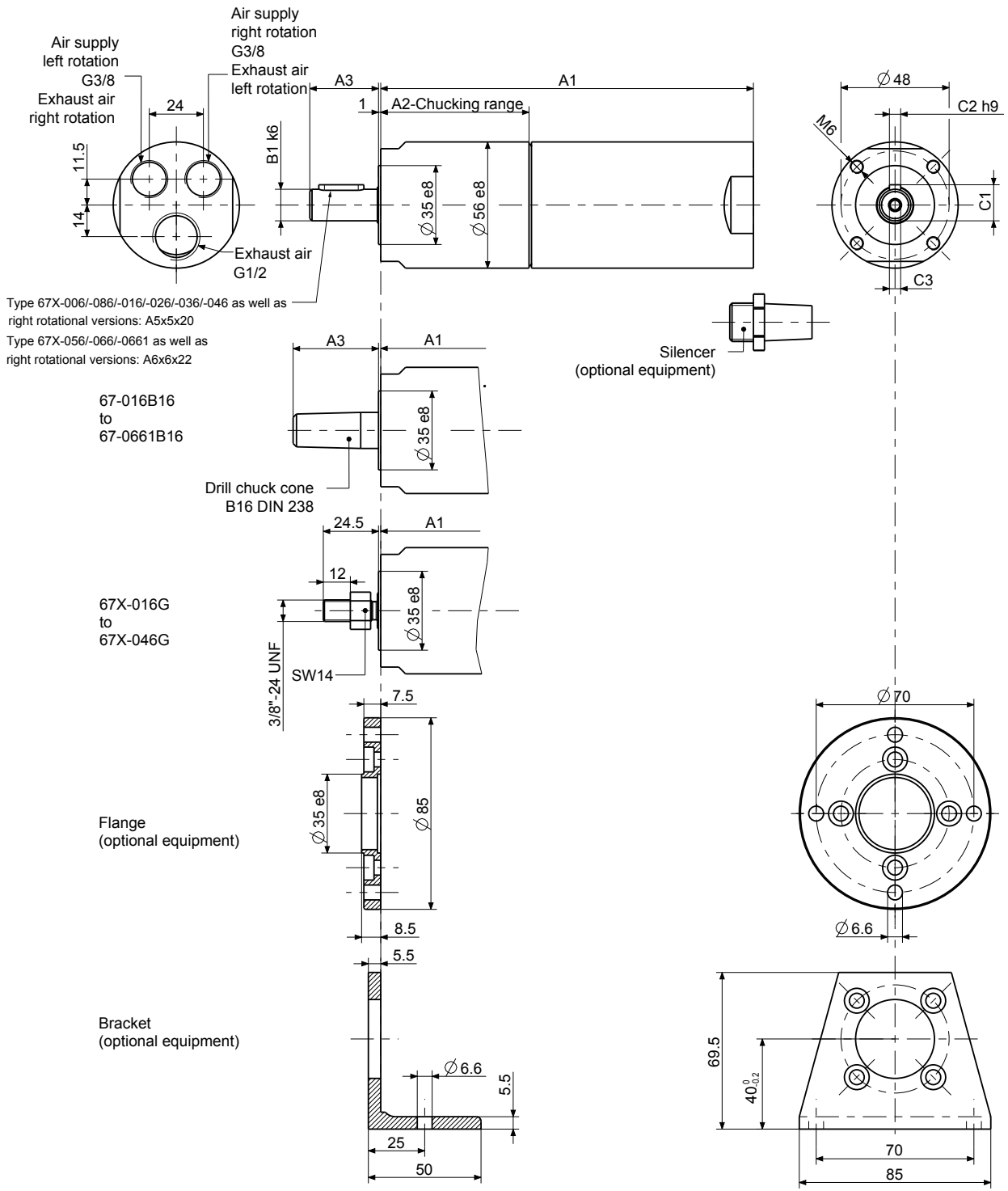
**) the output will be reduced by approx. 10%

Of course you can also purchase individual replacement parts from us. Please contact us if this is a requirement. Our standard maintenance units are not ATEX conform. Please contact us if this is a requirement

Allowable shaft loading see page 36.

Further notes for soundproofing see page 36/37.

Motor size 6, Series 67(X)-, reversible and right rotation





Dimensions in mm

p4402988

| Motor size | Series 67(X)- Type | | | | Dimensions of motor (mm) | | | | | | |
|------------|-----------------------|------------|------------|------------|--------------------------|------|------|----|------|---|-------|
| | A1 | A2 | A3 | B1 | C1 | C2 | C3 | | | | |
| 6 | 67X-006 | 67X-016(G) | 67X-026(G) | 67X-036(G) | 165.5 | 66 | 30.5 | 14 | 16 | 5 | M5x12 |
| | 67X-046(G) | 67X-086 | | | 183.5 | 84 | | | | | |
| | 67X-056 | 67X-066 | 67X-0661 | | 180 | 80.5 | 35 | 19 | 21.5 | 6 | M6x12 |
| | 67X-006R | 67X-016R | 67X-026R | 67X-036R | 165.5 | 66 | | | | | |
| | 67X-046R | 67X-086R | | | 183.5 | 84 | 30.5 | 14 | 16 | 5 | M5x12 |
| | 67X-056R | 67X-066R | | | 180 | 80.5 | | | | | |
| | 67-016B16 | 67-026B16 | 67-036B16 | | 166 | 66 | 37.5 | - | - | - | - |
| | 67-046B16 | | | | 184 | 84 | | | | | |
| 67-056B16 | 67-066B16 | 67-0661B16 | | 180 | 80.5 | 38 | | | | | |

900/1100 W ADVANCED LINE AIR MOTOR ATEX conform

| Motor size 7 | | reversible | | | | | | | | |
|-----------------------------------|--|--------------------|--------------------|--------------------|--------------------|--------------------|--------------------|--------------------|--------------------|--|
| Series 67X- ATEX conform |  Type Part no. | 67X-007 306770A | 67X-087 306770N | 67X-017 306770H | 67X-027 306770B | 67X-037 306770C | 67X-047 306770D | 67X-057 306770E | 67X-067 306770F | |
| ATEX specification | | A | A | D | C | C | A | A | A | |
| Nominal power | W / HP | 900/1.2 | 900/1.2 | 900/1.2 | 900/1.2 | 900/1.2 | 900/1.2 | 900/1.2 | 900/1.2 | |
| Nominal speed | rpm | 6300 | 2600 | 1835 | 1425 | 950 | 325 | 235 | 155 | |
| Speed (idling) | rpm | 12600 | 5200 | 3670 | 2850 | 1900 | 650 | 470 | 310 | |
| Nominal torque | Nm / in.lbs | 1.35/11.95 | 3.3/29.2 | 4.6/40.7 | 6/53.1 | 9/79.65 | 26.4/233.6 | 36.5/323 | 55.4/490.3 | |
| Start torque min. | Nm / in.lbs | 2/17.7 | 4.9/43.36 | 7/61.95 | 9/79.65 | 13.5/119.5 | 39.6/350.46 | 54.8/485 | 83.1/735.4 | |
| Stall torque | Nm / in.lbs | 2.6/23 | 6.2/54.87 | 8.9/78.8 | 11.4/100.89 | 17.1/151.3 | 50.2/444.27 | 69.4/614.19 | 105.3/931.9 | |
| Air consumption | m ³ /min / cfm | 1.4/49.42 | 1.4/49.42 | 1.4/49.42 | 1.4/49.42 | 1.4/49.42 | 1.4/49.42 | 1.4/49.42 | 1.4/49.42 | |
| Weight | kg / lbs | 2.5/5.5 | 2.9/6.38 | 2.6/5.72 | 2.6/5.72 | 2.6/5.72 | 2.9/6.38 | 3/6.6 | 3/6.6 | |
| Hose I.D., supply air/exhaust air | mm / in. | 12 / 1/2 | 12 / 1/2 | 12 / 1/2 | 12 / 1/2 | 12 / 1/2 | 12 / 1/2 | 12 / 1/2 | 12 / 1/2 | |

| Motor size 7 | | right rotation | | | | | | | | |
|-----------------------------------|--|----------------------|----------------------|----------------------|----------------------|----------------------|----------------------|----------------------|----------------------|--|
| Series 67X- ATEX conform |  Type Part no. | 67X-007R 3067700A | 67X-087R 3067700N | 67X-017R 3067700H | 67X-027R 3067700B | 67X-037R 3067700C | 67X-047R 3067700D | 67X-057R 3067700E | 67X-067R 3067700F | |
| ATEX specification | | A | A | D | C | C | A | A | A | |
| Nominal power | W / HP | 1100 | 1100 | 1100 | 1100 | 1100 | 1100 | 1100 | 1100 | |
| Nominal speed | rpm | 6550 | 2625 | 1900 | 1460 | 970 | 330 | 240 | 155 | |
| Speed (idling) | rpm | 13100 | 5250 | 3800 | 2920 | 1940 | 660 | 480 | 310 | |
| Nominal torque | Nm / in.lbs | 1.6/14.2 | 4/35.4 | 5.5/48.7 | 7.2/63.7 | 10.8/95.6 | 31.8/281.4 | 43.8/387.6 | 67.7/599.1 | |
| Start torque min. | Nm / in.lbs | 2.4/21.2 | 6/53.1 | 8.3/73.5 | 10.8/95.6 | 16.2/143.4 | 47.7/422.1 | 65.7/581.4 | 101.6/899.2 | |
| Stall torque | Nm / in.lbs | 3.0/26.55 | 7.6/67.3 | 10.5/92.9 | 13.7/121.2 | 20.5/181.4 | 60.5/535.4 | 83.2/736.3 | 128.8/1129.9 | |
| Air consumption | m ³ /min / cfm | 1.4/49.42 | 1.4/49.42 | 1.4/49.42 | 1.4/49.42 | 1.4/49.42 | 1.4/49.42 | 1.4/49.42 | 1.4/49.42 | |
| Weight | kg / lbs | 2.5/5.5 | 2.9/6.38 | 2.6/5.72 | 2.6/5.72 | 2.6/5.72 | 2.9/6.38 | 3/6.6 | 3/6.6 | |
| Hose I.D., supply air/exhaust air | mm / in. | 12 / 1/2 | 12 / 1/2 | 12 / 1/2 | 12 / 1/2 | 12 / 1/2 | 12 / 1/2 | 12 / 1/2 | 12 / 1/2 | |

Performance data relate to an air pressure of 6 bar (85 PSI) and lubricated air. With oil-free operation the output will be reduced by 10 - 20%.

| Optional Equipment: | for motor size 7 | |
|---|------------------|---|
| Flange incl. mounting screws | Part no. | 4446166 |
| Bracket incl. mounting screws | Part no. | 4446176 |
| Silencer: motor operates in one direction (right or left rotation) | | |
| 1 Hose nozzle | Part no. | 410540 (3/8") |
| 1 Silencer | Part no. | 129563A (G ^{3/8} /G ^{1/2}) ** |
| Silencer: Motor is reversible (right or left rotation) | | |
| 2 Hose nozzles | Part no. | 410540 (3/8") |
| 1 Silencer | Part no. | 129563B (G ^{1/2}) |
| Drill-Chuck | | |
| Range 1 - 13 mm / B 16 | Part no. | - |
| Quick change chuck | | |
| Range 1 - 13 mm / B 16 | Part no. | - |
| Maintenance unit with lubricator* | Part no. | 821608A |
| Connection thread | | G 3/4 |
| Maintenance unit without lubricator* | Part no. | 826982A |
| Connection thread | | G 3/4 |
| Replacement part set consisting of: vanes, sealant rings, o-rings and silencers | Part no. | 444919A / for part no. 306770B-D, H and 3067700B-D, H 444919B / for part no. 306770E-F and 3067700E-F 444919F / for part no. 306770A, N and 3067700A, N |

* Maintenance unit consists of pressure regulator valve, filter and optionally with or without lubricator

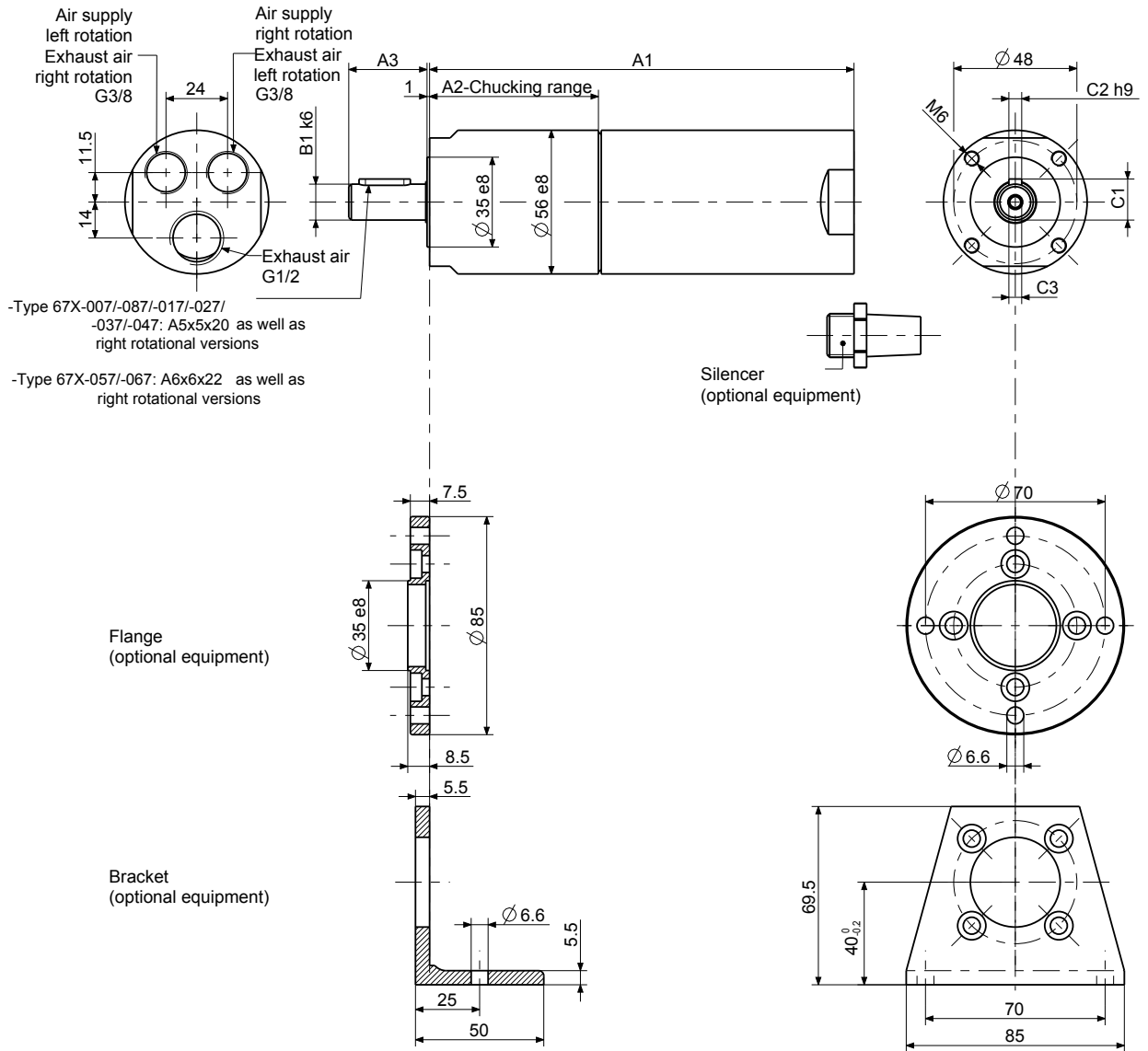
** the output will be reduced by approx. 10%

Of course you can also purchase individual replacement parts from us. Please contact us if this is a requirement. Our standard maintenance units are not ATEX conform. Please contact us if this is a requirement

Allowable shaft loading see page 36.

Further notes for soundproofing see page 36/37.

Motor size 7, Series 67(X)-, reversible and right rotation



Dimensions in mm

p4402988

| Motor size | Series 67(X)- Type | | | | Dimensions of motor (mm) | | | | | | |
|------------|-----------------------|------------|------------|------------|--------------------------|----|------|----|------|---|-------|
| | A1 | A2 | A3 | B1 | C1 | C2 | C3 | | | | |
| 7 | 67X-007(R) | 67X-017(R) | 67X-027(R) | 67X-037(R) | 190.5 | 66 | 30.5 | 14 | 16 | 5 | M5x12 |
| | 67X-047(R) | 67X-087(R) | | | 208.5 | 84 | | | | | |
| | 67X-057(R) | 67X-067(R) | | | 205 | 81 | 35 | 19 | 21.5 | 6 | M6x12 |

600/850 W ADVANCED LINE AIR MOTOR with high torque

| Motor size 6 with high torque | | reversible | | | |
|-----------------------------------|---------------------------|----------------------|----------------------|------------------------|------------------------|
| Series 67X-ATEX conform | Type Part no. | 67X-746 306760I | 67X-756 306760K | 67X-766 306760L | 67X-516 306760M |
| ATEX specification | | A | | | |
| Nominal power | W / HP | 600/0.8 | 600/0.8 | 600/0.8 | 600/0.8 |
| Nominal speed | rpm | 85 | 65 | 42 | 24 |
| Speed (idling) | rpm | 170 | 130 | 84 | 48 |
| Nominal torque | Nm / in.lbs | 67.4/596.5 | 88.1/779.7 | 136.4/1207.14 | 238.7/2112.5 |
| Start torque min. | Nm / in.lbs | 101.1/894.7 | 132.2/1170 | 204.6/1810.7 | 358.1/3169.2 |
| Stall torque | Nm / in.lbs | 128/1132.8 | 167.4/1481.49 | 259.2/2293.9 | 453.5/4013.5 |
| Air consumption | m ³ /min / cfm | 0.85/30 | 0.85/30 | 0.85/30 | 0.85/30 |
| Weight | kg / lbs | 3.6/7.92 | 3.6/7.92 | 3.6/7.92 | 4.4/9.68 |
| Hose I.D., supply air/exhaust air | mm / in. | 12 / 1/2 | 12 / 1/2 | 12 / 1/2 | 12 / 1/2 |
| Motor size 6 with high torque | | right rotation | | | |
| Series 67X-ATEX conform | Type Part no. | 67X-746R 3067600I | 67X-756R 3067600K | 67X-766R 3067600L | 67X-516R 3067600M |
| ATEX specification | | A | | | |
| Nominal power | W / HP | 850/1.14 | 850/1.14 | 850/1.14 | 850/1.14 |
| Nominal speed | rpm | 95 | 67 | 45 | 25 |
| Speed (idling) | rpm | 190 | 134 | 90 | 50 |
| Nominal torque | Nm / in.lbs | 85/752.25 | 120/1062 | 180/1593 | 325/2876.25 |
| Start torque min. | Nm / in.lbs | 128/1133 | 180/1593 | 270/2389.5 | 487/4310 |
| Stall torque | Nm / in.lbs | 162/1433.7 | 228.5/2022.2 | 300/2655 ¹⁾ | 600/5310 ¹⁾ |
| Max. admissible torque | Nm / in.lbs | - | - | 300/2655 | 600/5310 |
| Air consumption | m ³ /min / cfm | 0.85/30 | 0.85/30 | 0.85/30 | 0.85/30 |
| Weight | kg / lbs | 3.6/7.92 | 3.6/7.92 | 3.6/7.92 | 4.4/9.68 |
| Hose I.D., supply air/exhaust air | mm / in. | 12 / 1/2 | 12 / 1/2 | 12 / 1/2 | 12 / 1/2 |

Performance data relate to an air pressure of 6 bar (85 PSI) and lubricated air. With oil-free operation the output will be reduced by 10 - 20%.

¹⁾ Please take note of the maximum permissible torque for the gear. Please note that these motor gears are not stall-proof. If a higher application-based torque cannot be limited by the customer (e.g. by use of a slip clutch), please contact our application specialists to discuss an alternative solution.

| Optional Equipment | for motor size 6 | |
|---|------------------|---|
| Flange incl. mounting screws | Part no. | 4134632 |
| Bracket incl. mounting screws | Part no. | 44461738 |
| Silencer: motor operates in one direction (right or left rotation) | | |
| 1 Hose nozzle | Part no. | 410540 (3/8") |
| 1 Silencer | Part no. | 129563A (G ^{3/8} /G ^{1/2}) ** |
| Silencer: Motor is reversible (right or left rotation) | | |
| 2 Hose nozzles | Part no. | 410540 (3/8") |
| 1 Silencer | Part no. | 129563B (G ^{1/2}) |
| Maintenance unit with lubricator* | Part no. | 820455A |
| Connection thread | | G 1/2 |
| Maintenance unit without lubricator* | Part no. | 822409A |
| Connection thread | | G 1/2 |
| Replacement part set consisting of: vanes, sealant rings, o-rings and silencers | Part no. | 444787L for types 67X-746(R) to 67X-766(R) 444787E for type 67X-516(R) |

* Maintenance unit consists of pressure regulator valve, filter and optionally with or without lubricator

** the output will be reduced by approx. 10%

Of course you can also purchase individual replacement parts from us. Please contact us if this is a requirement. Our standard maintenance units are not ATEX conform. Please contact us if this is a requirement

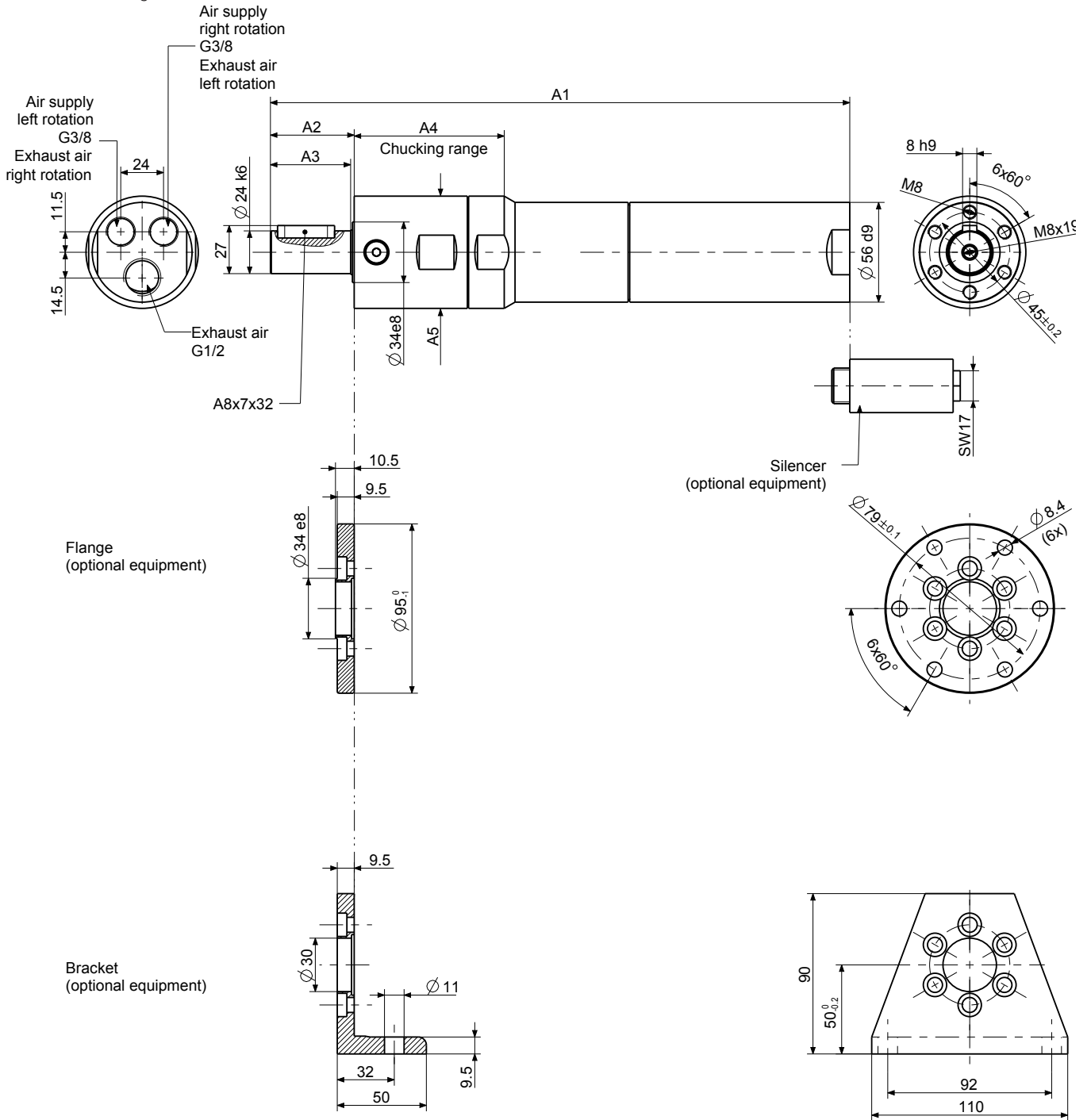
Allowable shaft loading see page 36.

Further notes for soundproofing see page 36/37.

Motor size 6 High torque stainless steel motors

Series 67X-

reversible and right rotation



Dimensions in mm

p444338

| Motor size | Series 67X- | | | Dimensions of motor (mm) | | | | |
|------------|-------------|------------|------------|--------------------------|----|----|------|------|
| | Type | | | A1 | A2 | A3 | A4 | A5 |
| 6 | 67X-746(R) | 67X-756(R) | 67X-766(R) | 286.4 | 47 | 45 | 61 | 56e8 |
| | 67X-516(R) | | | 300 | 47 | 45 | 84.2 | 63h8 |

900/1100 W ADVANCED LINE AIR MOTOR with high torque

| Motor size 7 with high torque | | reversible | | | |
|-----------------------------------|---------------------------|----------------------|------------------------|------------------------|------------------------|
| Series 67X- ATEX conform | Type Part no. | 67X-747 306770I | 67X-757 306770K | 67X-767 306770L | 67X-517 306770M |
| ATEX specification | | A | | | |
| Nominal power | W / HP | 900/1.2 | 900/1.2 | 900/1.2 | 900/1.2 |
| Nominal speed | rpm | 80 | 60 | 40 | 22 |
| Speed (idling) | rpm | 160 | 120 | 80 | 44 |
| Nominal torque | Nm / in.lbs | 107.4/950.5 | 143.2/1267.32 | 214.8/1901 | 390.6/3456.81 |
| Start torque min. | Nm / in.lbs | 161.1/1425.7 | 214.8/1901 | 300/2655 ¹⁾ | 585.9/5185.2 |
| Stall torque | Nm / in.lbs | 204.1/1806.3 | 272.1/2408.1 | 300/2655 ¹⁾ | 600/5310 ¹⁾ |
| Max. admissible torque | Nm / in.lbs | - | - | 300/2655 | 600/5310 |
| Air consumption | m ³ /min / cfm | 1.4/49.42 | 1.4/49.42 | 1.4/49.42 | 1.4/49.42 |
| Weight | kg / lbs | 3.8/8.36 | 3.9/8.58 | 3.9/8.58 | 4.7/10.34 |
| Hose I.D., supply air/exhaust air | mm / in. | 12 / 1/2 | 12 / 1/2 | 12 / 1/2 | 12 / 1/2 |
| Motor size 7 with high torque | | right rotation | | | |
| Series 67X- ATEX conform | Type Part no. | 67X-747R 3067700I | 67X-757R 3067700K | 67X-767R 3067700L | 67X-517R 3067700M |
| ATEX specification | | A | | | |
| Nominal power | W / HP | 1100/1.5 | 1100/1.5 | 1100/1.5 | 1100/1.5 |
| Nominal speed | rpm | 80 | 60 | 40 | 22 |
| Speed (idling) | rpm | 160 | 120 | 80 | 44 |
| Nominal torque | Nm / in.lbs | 131/1159.35 | 175/1548.75 | 262.6/2324 | 477/4221.45 |
| Start torque min. | Nm / in.lbs | 197/1743.45 | 262.6/2324 | 300/2655 ¹⁾ | 600/5310 ¹⁾ |
| Stall torque | Nm / in.lbs | 249.5/2208 | 300/2655 ¹⁾ | 300/2655 ¹⁾ | 600/5310 ¹⁾ |
| Max. admissible torque | Nm / in.lbs | - | 300/2655 | 300/2655 | 600/5310 |
| Air consumption | m ³ /min / cfm | 1.4/49.42 | 1.4/49.42 | 1.4/49.42 | 1.4/49.42 |
| Weight | kg / lbs | 3.8/8.36 | 3.9/8.58 | 3.9/8.58 | 4.7/10.34 |
| Hose I.D., supply air/exhaust air | mm / in. | 12 / 1/2 | 12 / 1/2 | 12 / 1/2 | 12 / 1/2 |

Performance data relate to an air pressure of 6 bar (85 PSI) and lubricated air. With oil-free operation the output will be reduced by 10 - 20%.

¹⁾ Please take note of the maximum permissible torque for the gear. Please note that these motor gears are not stall-proof. If a higher application-based torque cannot be limited by the customer (e.g. by use of a slip clutch), please contact our application specialists to discuss an alternative solution.

| Optional Equipment | for motor size 7 | |
|---|------------------|---|
| Flange incl. mounting screws | Part no. | 4134632 |
| Bracket incl. mounting screws | Part no. | 44461738 |
| Silencer: motor operates in one direction (right or left rotation) | | |
| 1 Hose nozzle | Part no. | 410540 (3/8") |
| 1 Silencer | Part no. | 129563A (G ^{3/8} /G ^{1/2}) ** |
| Silencer: Motor is reversible (right or left rotation) | | |
| 2 Hose nozzles | Part no. | 410540 (3/8") |
| 1 Silencer | Part no. | 129563B (G ^{1/2}) |
| Maintenance unit with lubricator* | Part no. | 821608A |
| Connection thread | | G 3/4 |
| Maintenance unit without lubricator* | Part no. | 826982A |
| Connection thread | | G 3/4 |
| Replacement part set consisting of: vanes, sealant rings, o-rings and silencers | Part no. | 444787M for types 67X-747(R) to 67X-767(R) 444919D for type 67X-517(R) |

* Maintenance unit consists of pressure regulator valve, filter and optionally with or without lubricator

** the output will be reduced by approx. 10%

Of course you can also purchase individual replacement parts from us. Please contact us if this is a requirement. Our standard maintenance units are not ATEX conform. Please contact us if this is a requirement

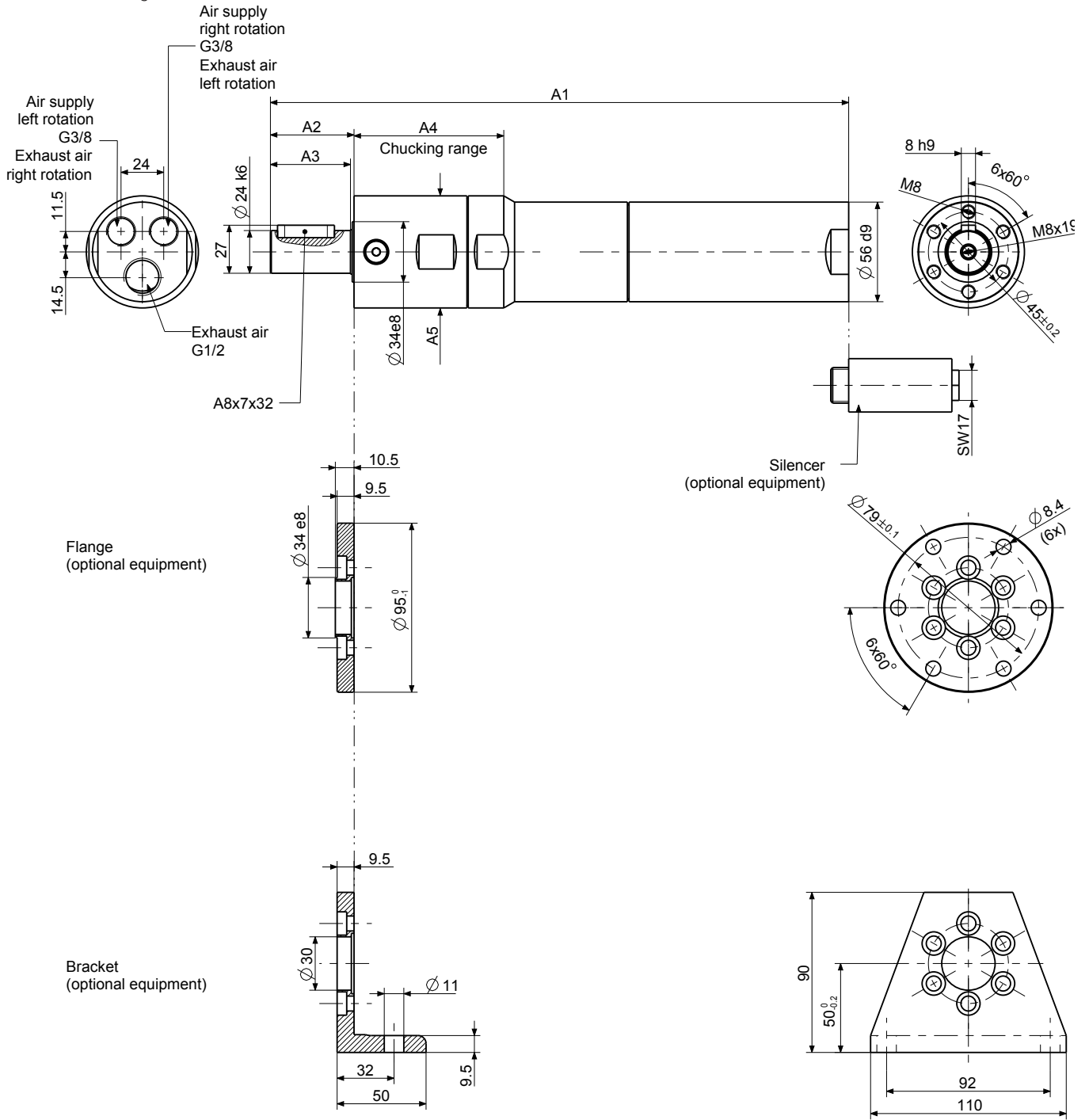
Allowable shaft loading see page 36.

Further notes for soundproofing see page 36/37.

Motor size 7 High torque stainless steel motors

Series 67X-

reversible and right rotation





Dimensions in mm

p444338

| Motor size | Series 67X- Type | | | Dimensions of motor (mm) | | | | |
|------------|---------------------|---------|---------|--------------------------|----|----|------|------|
| | | | | A1 | A2 | A3 | A4 | A5 |
| 7 | 67X-747 | 67X-757 | 67X-767 | 311.5 | 47 | 45 | 61 | 56e8 |
| | 67X-517 | | | 325 | 47 | 45 | 84.2 | 63h8 |

300/600/900 W ADVANCED LINE HIGH TORQUE AIR MOTOR with integrated holding brake

| Motor size 6 with holding brake | | reversible | | | | | | | | | |
|---|---|-------------|------------------|------------------|------------------|------------------|------------------|------------------|------------------|------------------|-------------------|
| Series 67X- ATEX conform |  | Type | 67X-006B | 67X-086B | 67X-016B | 67X-026B | 67X-036B | 67X-046B | 67X-056B | 67X-066B | 67X-0661B |
| | | Part no. | 1027501A | 1027501N | 1027501H | 1027501B | 1027501C | 1027501D | 1027501E | 1027501F | 1027501G |
| ATEX specification | | | A | A | D | C | C | A | A | A | A |
| Series 67- without ATEX authorization | | Type | 67-006B-1 | 67-086B-1 | 67-016B-1 | 67-026B-1 | 67-036B-1 | 67-046B-1 | 67-056B-1 | 67-066B-1 | 67-0661B-1 |
| | | Part no. | 102750A | 102750N | 102750H | 102750B | 102750C | 102750D | 102750E | 102750F | 102750G |
| Nominal power | W / HP | | 600/0.8 | 600/0.8 | 600/0.8 | 600/0.8 | 600/0.8 | 600/0.8 | 600/0.8 | 600/0.8 | 300/0.4 |
| Nominal speed | rpm | | 6750 | 2750 | 2000 | 1500 | 1000 | 350 | 250 | 170 | 90 |
| Speed (idling) | rpm | | 13500 | 5500 | 4000 | 3000 | 2000 | 700 | 500 | 340 | 180 |
| Nominal torque | Nm / in.lbs | | 0.85/7.5 | 2.0/17.7 | 2.8/24.78 | 3.8/33.63 | 5.7/50.4 | 16.3/144.3 | 22.9/202.7 | 33.7/298.3 | 31.8/281.4 |
| Start torque min. | Nm / in.lbs | | 1.25/11.06 | 3.1/27.4 | 4.3/38.06 | 5.7/50.4 | 8.5/75.2 | 24.5/216.8 | 34.3/303.6 | 50.6/447.8 | 47.7/422.15 |
| Stall torque | Nm / in.lbs | | 1.6/14.16 | 3.9/34.5 | 5.4/47.8 | 7.2/63.7 | 10.8/95.6 | 31.1/275.2 | 43.5/385 | 64/566.4 | 60.4/534.54 |
| Brake torque | Nm / in.lbs | | 3/26.55 | 7.3/64.6 | 10.3/91.15 | 13.2/116.8 | 20/177 | 58/513.3 | 79.2/700.9 | 120/1062 | 108/955.8 |
| Air consumption | m ³ /min/cfm | | 0.85/30 | 0.85/30 | 0.85/30 | 0.85/30 | 0.85/30 | 0.85/30 | 0.85/30 | 0.85/30 | 0.55/30 |
| Weight | kg / lbs | | 3.35/7.37 | 3.35/7.37 | 3.45/7.59 | 3.45/7.59 | 3.45/7.59 | 3.75/8.25 | 3.75/8.25 | 3.75/8.25 | 3.75/8.25 |
| Hose I.D., supply air/exhaust air | mm / in. | | 12 / 1/2 | 12 / 1/2 | 12 / 1/2 | 12 / 1/2 | 12 / 1/2 | 12 / 1/2 | 12 / 1/2 | 12 / 1/2 | 12 / 1/2 |
| Motor size 7 with holding brake | | reversible | | | | | | | | | |
| Series 67X- ATEX conform |  | Type | 67X-007B | 67X-087B | 67X-017B | 67X-027B | 67X-037B | 67X-047B | 67X-057B | 67X-067B | |
| | | Part no. | 1030051A | 1030051N | 1030051H | 1030051B | 1030051C | 1030051D | 1030051E | 1030051F | |
| ATEX specification | | | A | A | D | C | C | A | A | A | |
| Series 67- without ATEX authorization | | Type | 67-007B-1 | 67-087B-1 | 67-017B-1 | 67-027B-1 | 67-037B-1 | 67-047B-1 | 67-057B-1 | 67-067B-1 | |
| | | Part no. | 103005A | 103005N | 103005H | 103005B | 103005C | 103005D | 103005E | 103005F | |
| Nominal power | W / HP | | 900/1.2 | 900/1.2 | 900/1.2 | 900/1.2 | 900/1.2 | 900/1.2 | 900/1.2 | 900/1.2 | |
| Nominal speed | rpm | | 6300 | 2600 | 1835 | 1425 | 950 | 325 | 235 | 155 | |
| Speed (idling) | rpm | | 12600 | 5200 | 3670 | 2850 | 1900 | 650 | 470 | 310 | |
| Nominal torque | Nm / in.lbs | | 1.35/11.95 | 3.3/29.2 | 4.6/40.7 | 6.0/53.1 | 9.0/79.65 | 26.4/233.6 | 36.5/322.14 | 55.4/490.3 | |
| Start torque min. | Nm / in.lbs | | 2.0/17.7 | 4.9/43.4 | 7.0/62 | 9.0/79.65 | 13.5/119.5 | 39.6/350.5 | 54.8/485 | 83.1/735.44 | |
| Stall torque | Nm / in.lbs | | 2.6/23 | 6.2/54.9 | 8.9/78.8 | 11.4/101 | 17.1/151.3 | 50.2/444.3 | 69.4/614.2 | 105.3/931.9 | |
| Brake torque | Nm / in.lbs | | 3/26.55 | 7.3/64.6 | 10.3/91.2 | 13.2/116.8 | 20/177 | 58/513.3 | 79.2/700.9 | 120/1062 | |
| Air consumption | m ³ /min/cfm | | 1.4/49.4 | 1.4/49.4 | 1.4/49.4 | 1.4/49.4 | 1.4/49.4 | 1.4/49.4 | 1.4/49.4 | 1.4/49.4 | |
| Weight | kg / lbs | | 3.55/7.8 | 3.55/7.8 | 3.65/8 | 3.65/8 | 3.65/8 | 3.95/8.7 | 3.95/8.7 | 3.95/8.7 | |
| Hose I.D., supply air/exhaust air | mm / in. | | 12 / 1/2 | 12 / 1/2 | 12 / 1/2 | 12 / 1/2 | 12 / 1/2 | 12 / 1/2 | 12 / 1/2 | 12 / 1/2 | |

Performance data relate to an air pressure of 6 bar (85 PSI) and lubricated air. With oil-free operation the output will be reduced by 10 - 20%.

** the output will be reduced by approx. 10%

| Optional Equipment | | for motor size 6 | for motor size 7 |
|--|----------|--|--|
| Flange incl. mounting screws | Part no. | 4446166 | 4446166 |
| Bracket incl. mounting screws | Part no. | 4446176 | 4446176 |
| Silencer: motor operates in one direction (right or left rotation) | | | |
| 1 Hose nozzle | Part no. | | 410540 (G ^{3/8}) |
| 1 Silencer | Part no. | | 129563A (G ^{3/8} /G ^{1/2}) ** |
| Silencer: Motor is reversible (right or left rotation) | | | |
| 2 Hose nozzles | Part no. | | 410540 (G ^{3/8}) |
| 1 Silencer | Part no. | | 129563B (G ^{1/2}) |
| Maintenance unit with lubricator* | Part no. | 820455A | 821608A |
| Connection thread | | G 1/2 | G 3/4 |
| Maintenance unit without lubricator* | Part no. | 822409A | 826982A |
| Connection thread | | G 1/2 | G 3/4 |
| Replacement part set consisting of: vanes, sealant rings, o-rings and silencers | Part no. | 444787A for part no. 102750(1)B-D 444787B for part no. 102750(1)E-F 444787H for part no. 102750(1)A, N | 444919A for part no. 103005(1)B-D 444919B for part no. 103005(1)E-G 444919F for part no. 103005(1)A, N |
| Replacement part set for brake consisting of: discs, pressure spring, o-rings and silencer | Part no. | 444787G | 444787G |

* Maintenance unit consists of pressure regulator valve, filter and optionally with or without lubricator

** the output will be reduced by approx. 10%

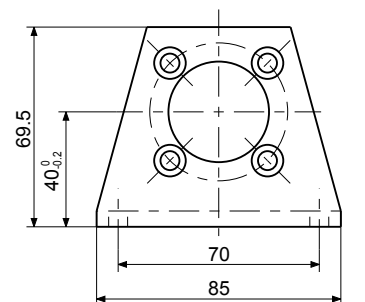
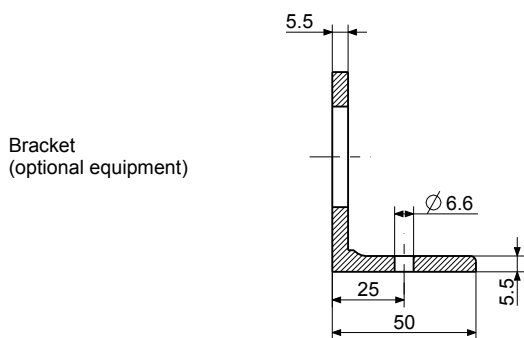
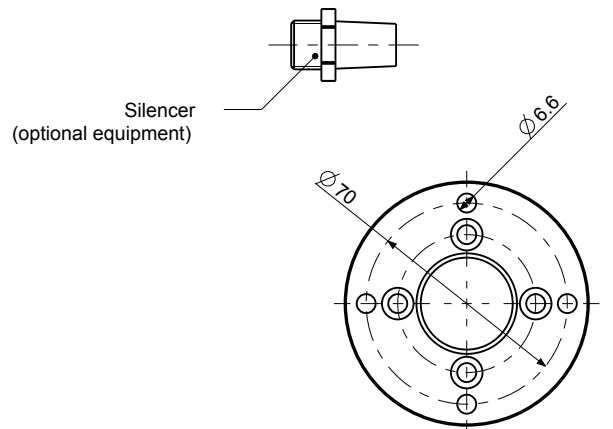
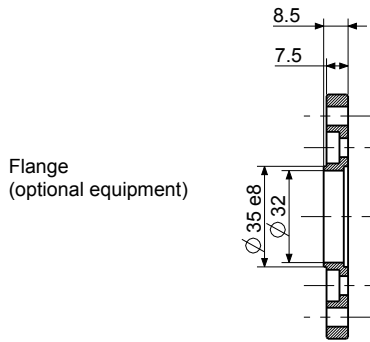
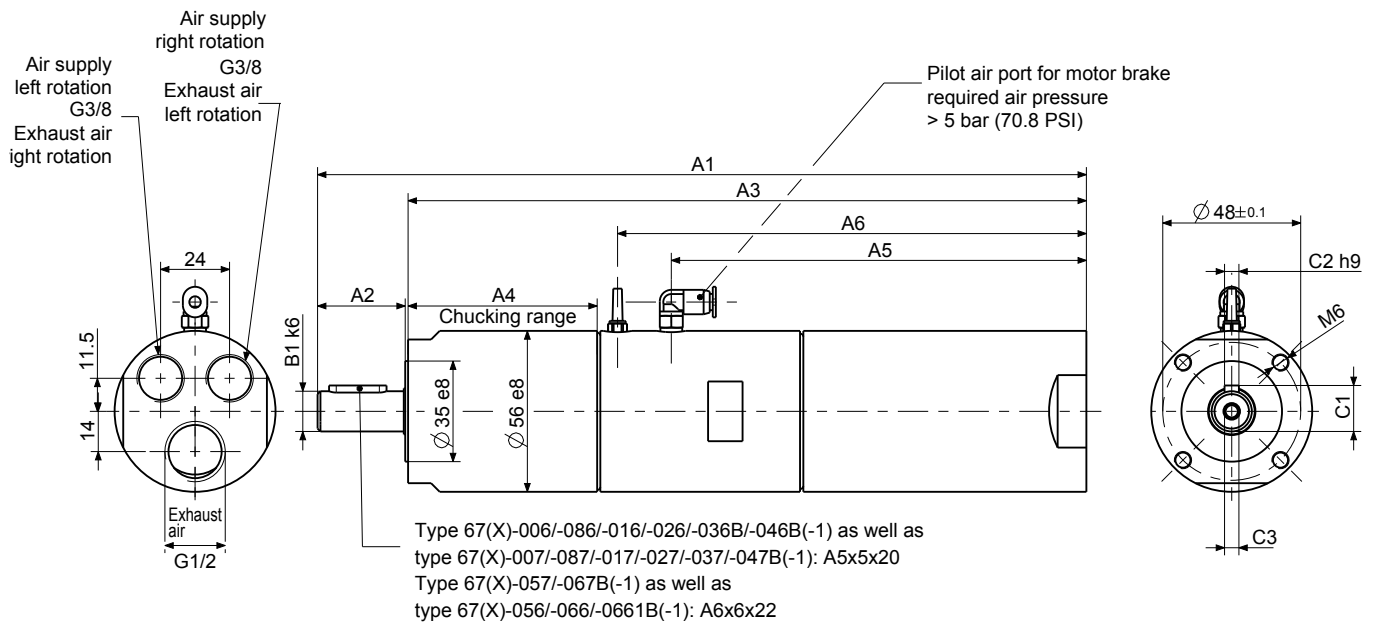
Of course you can also purchase individual replacement parts from us. Our standard maintenance units are not ATEX conform. Please contact us if this is a requirement.

Allowable shaft loading see page 36.

Further notes for soundproofing see page 36/37.

Notes to the pressure regulator valve for our ATEX conform brake motors, please find on page 38.

Motor size 6 and Motor size 7 with holding brake, Series 67(X)-, reversible




Dimensions in mm

p110531

| Motor size | Series 67(X)- | | | | Dimensions (mm) | | | | | | | | | |
|------------|----------------|----------------|-----------------|----------------|-----------------|----|-------|------|-------|-------|----|------|----|-------|
| | Type | | | | A1 | A2 | A3 | A4 | A5 | A6 | B1 | C1 | C2 | C3 |
| 6 | 67(X)-006B(-1) | 67(X)-016B(-1) | 67(X)-026B(-1) | 67(X)-036B(-1) | 267.5 | | 236.1 | 65.8 | | | 14 | 16 | 5 | M5x12 |
| | 67(X)-046B(-1) | 67(X)-086B(-1) | | | 285.6 | 30 | 254.1 | 83.8 | 144.5 | 163.2 | 19 | 21.5 | 6 | M6x12 |
| | 67(X)-056B(-1) | 67(X)-066B(-1) | 67(X)-0661B(-1) | | 287.6 | 35 | 250.5 | 80.4 | | | | | | |
| 7 | 67(X)-007B(-1) | 67(X)-017B(-1) | 67(X)-027B(-1) | 67(X)-037B(-1) | 292.6 | | 261.1 | 65.8 | | | 14 | 16 | 5 | M5x12 |
| | 67(X)-047B(-1) | 67(X)-087B(-1) | | | 310.6 | 30 | 279.1 | 83.8 | 169.5 | 188.1 | 19 | 21.5 | 6 | M6x12 |
| | 67(X)-057B(-1) | 67(X)-067B(-1) | | | 312.6 | 35 | 275.5 | 80.4 | | | | | | |

600/900 W ADVANCED LINE HIGH TORQUE AIR MOTOR with integrated holding brake

| | | Motor size 6 with holding brake reversible | | | | Motor size 7 with holding brake reversible | | | | |
|---------------------------------------|---|--|-------------|--------------|--------------|--|--------------|--------------|------------------------|------------------------|
| Series 67X-ATEX conform |  | Type | 67X-746B | 67X-756B | 67X-766B | 67X-516B | 67X-747B | 67X-757B | 67X-767B | 67X-517B |
| | | Part no. | 1027501P | 1027501R | 1027501S | 1027501M | 1030051P | 1030051R | 1030051S | 1030051M |
| ATEX specification | | | A | | | | A | | | |
| Series 67- without ATEX authorization | | Type | 67-746B-1 | 67-756B-1 | 67-766B-1 | 67-516B-1 | 67-747B-1 | 67-757B-1 | 67-767B-1 | 67-517B-1 |
| | | Part no. | 102750P | 102750R | 102750S | 102750M | 103005P | 103005R | 103005S | 103005M |
| Nominal power | W / HP | | 600/0.8 | 600/0.8 | 600/0.8 | 600/0.8 | 900/1.2 | 900/1.2 | 900/1.2 | 900/1.2 |
| Nominal speed | rpm | | 85 | 65 | 42 | 24 | 80 | 60 | 40 | 22 |
| Speed (idling) | rpm | | 170 | 130 | 84 | 48 | 160 | 120 | 80 | 44 |
| Nominal torque | Nm / in.lbs | | 67.4/596.5 | 88.1/779.7 | 136.4/1207.1 | 238.7/2112.5 | 107.4/950.5 | 143.2/1267.3 | 214.8/1901 | 390.6/3456.8 |
| Start torque min. | Nm / in.lbs | | 101.1/894.7 | 132.2/1170 | 204.6/1810.7 | 358.1/3169.2 | 161.1/1425.7 | 214.8/1901 | 300/2655 ¹⁾ | 585.9/5185.2 |
| Stall torque | Nm / in.lbs | | 128/1132.8 | 167.4/1481.5 | 259.2/2293.9 | 453.5/4013.5 | 204.1/1806.3 | 272.1/2408.1 | 300/2655 ¹⁾ | 600/5310 ¹⁾ |
| Max. admissible torque | Nm / in.lbs | | - | 300/2655 | 300/2655 | 600/5310 | - | 300/2655 | 300/2655 | 600/5310 |
| Brake torque | Nm / in.lbs | | 232/2053.2 | - | - | - | 232/2053.2 | - | - | - |
| Air consumption | m ³ /min/cfm | | 0.85/30 | 0.85/30 | 0.85/30 | 0.85/30 | 1.4/49.42 | 1.4/49.42 | 1.4/49.42 | 1.4/49.42 |
| Weight | kg / lbs | | 4.6/10.12 | 4.6/10.12 | 4.6/10.12 | 5.4/11.88 | 4.8/10.56 | 4.8/10.56 | 4.8/10.56 | 5.6/12.32 |
| Hose I.D. supply air/exhaust air | mm / in. | | 12 / 1/2 | 12 / 1/2 | 12 / 1/2 | 12 / 1/2 | 12 / 1/2 | 12 / 1/2 | 12 / 1/2 | 12 / 1/2 |

Performance data relate to an air pressure of 6 bar (85 PSI) and lubricated air. With oil-free operation the output will be reduced by 10 - 20%.

¹⁾ Please take note of the maximum permissible torque for the gear. Please note that these motor gears are not stall-proof. If a higher application-based torque cannot be limited by the customer (e.g. by use of a slip clutch), please contact our application specialists to discuss an alternative solution.

| Optional Equipment | | for motor size 6 and 7 | |
|--|----------|---|--|
| Flange incl. mounting screws | Part no. | 4134632 | |
| Bracket incl. mounting screws | Part no. | 44461738 | |
| Silencer: motor operates in one direction (right or left rotation) | | | |
| 1 Hose nozzle | Part no. | 410540 (G ^{3/8}) | |
| 1 Silencer | Part no. | 129563A (G ^{3/8} /G ^{1/2}) **) | |
| Silencer: Motor is reversible (right or left rotation) | | | |
| 2 Hose nozzles | Part no. | 410540 (G ^{3/8}) | |
| 1 Silencer | Part no. | 129563B (G ^{1/2}) | |
| Optional Equipment | | for motor size 6 | for motor size 7 |
| Maintenance unit with lubricator* | Part no. | 820455A | 821608A |
| Connection thread | | G 1/2 | G 3/4 |
| Maintenance unit without lubricator* | Part no. | 822409A | 826982A |
| Connection thread | | G 1/2 | G 3/4 |
| Replacement part set consisting of: vanes, sealant rings, o-rings and silencers | Part no. | 444787D for types 67(X)-746B(-1) to .-766B(-1) | 444919C for types 67(X)-747B(-1) to .-767B(-1) |
| Replacement part set for brake consisting of: discs, pressure spring and o-rings | Part no. | 444787E for type 67(X)-516B(-1) | 444787E for type 67(X)-517B(-1) |
| | Part no. | 444787G | 444787G |

*) Maintenance unit consists of pressure regulator valve, filter and optionally with or without lubricator

**)) the output will be reduced by approx. 10%

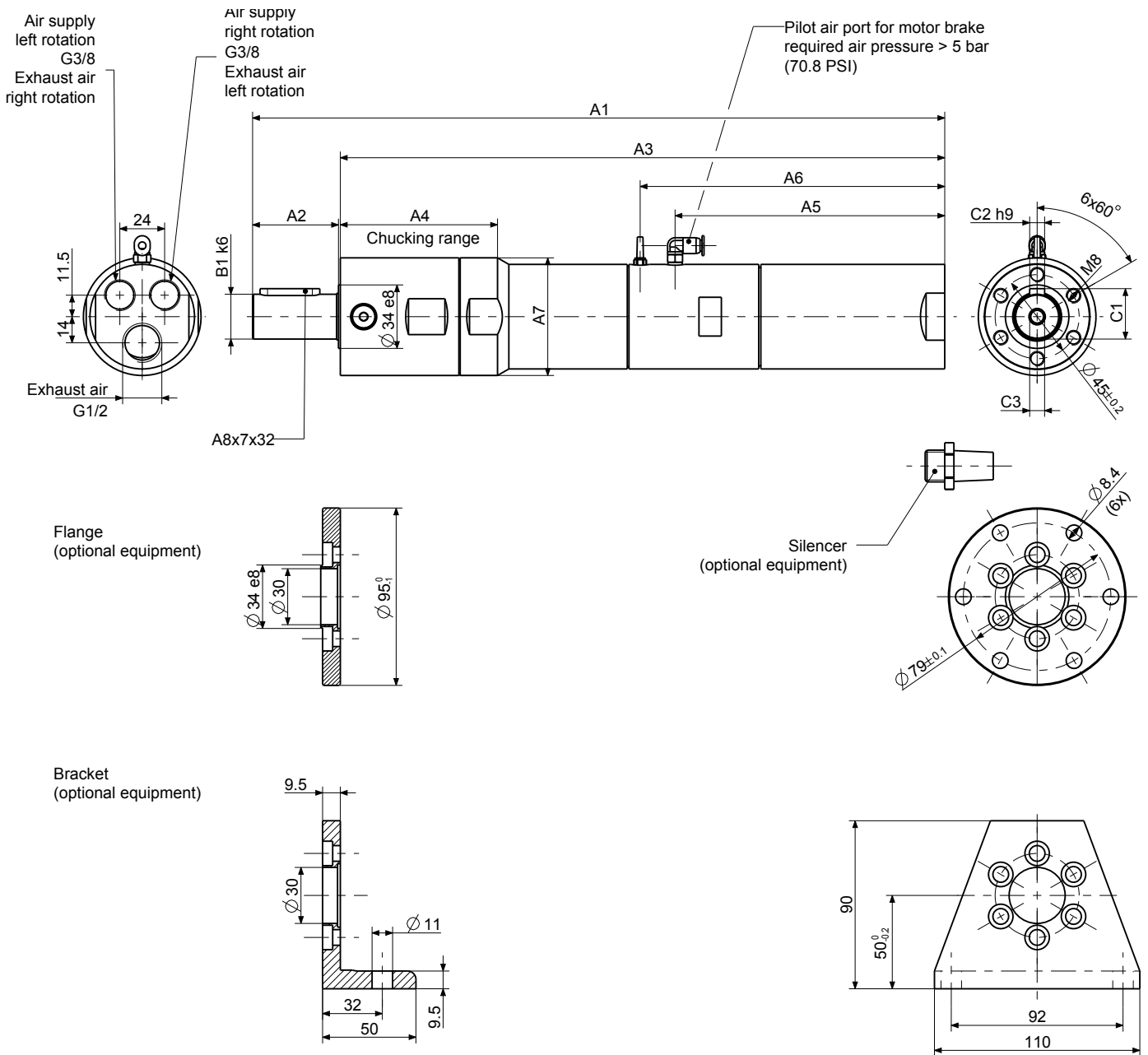
Of course you can also purchase individual replacement parts from us. Our standard maintenance units are not ATEX conform. Please contact us if this is a requirement.

Allowable shaft loading see page 36.

Further notes for soundproofing see page 36/37.

Notes to the pressure regulator valve for our ATEX conform brake motors, please find on page 38.

Motor size 6 and Motor size 7 with holding brake, Series 67(X)-, reversible




Dimensions in mm


p110532

| Motor size | Series 67(X)- Type | | | Dimensions (mm) | | | | | | | | | | |
|------------|-----------------------|----------------|----------------|-----------------|----|-------|-------|-------|-------|------|----|----|----|-------|
| | | | | A1 | A2 | A3 | A4 | A5 | A6 | A7 | B1 | C1 | C2 | C3 |
| 6 | 67(X)-746B(-1) | 67(X)-756B(-1) | 67(X)-766B(-1) | 357 | 45 | 310 | 139.6 | 144.5 | 163.2 | 56e8 | 24 | 27 | 8 | M8x12 |
| | 67(X)-516B(-1) | | | 370.8 | 45 | 323.8 | 84.2 | | | 63h8 | | | | |

| Motor size | Series 67(X)- Type | | | Dimensions (mm) | | | | | | | | | | |
|------------|-----------------------|----------------|----------------|-----------------|----|-------|------|-------|-------|------|----|----|----|-------|
| | | | | A1 | A2 | A3 | A4 | A5 | A6 | A7 | B1 | C1 | C2 | C3 |
| 7 | 67(X)-747B(-1) | 67(X)-757B(-1) | 67(X)-767B(-1) | 382.1 | 45 | 335.1 | 140 | 169.5 | 188.2 | 56e8 | 24 | 27 | 8 | M8x12 |
| | 67(X)-517B(-1) | | | 395.8 | 45 | 348.8 | 84.2 | | | 63h8 | | | | |

700/1600/2200 W ADVANCED LINE AIR MOTOR

| Motor size 8 | | reversible | | | | | | |
|---|---------------------------|------------|-------------|-------------|-------------|---------------|-------------|------------------------|
| Series 67X-ATEX conform | Type Part no. | 67X-008 | 67X-028 | 67X-038 | 67X-048 | 67X-058 | 67X-0581 | 67X-068 |
|  | | 306780A | 306780B | 306780C | 306780D | 306780E | 306780F | 306780G |
| ATEX specification | | A | D | C | C | C | A | A |
| Nominal power | W / HP | 1600/2.14 | 1600/2.14 | 1600/2.14 | 1600/2.14 | 1600/2.14 | 700/0.9 | 1600/2.14 |
| Nominal speed | rpm | 4800 | 1250 | 600 | 350 | 1600 | 100 | 80 |
| Speed (idling) | rpm | 9600 | 2500 | 1200 | 700 | 320 | 200 | 160 |
| Nominal torque | Nm / in.lbs | 3.1/27.4 | 12.2/108 | 25.4/224.8 | 43.6/385.86 | 95.4/844.3 | 66.9/592.1 | 191/1690 |
| Start torque min. | Nm / in.lbs | 4.7/41.6 | 18.3/161.95 | 38.2/338.07 | 65.4/578.79 | 143.2/1267.32 | 100/885 | 220/1947 ¹⁾ |
| Stall torque | Nm / in.lbs | 6.05/53.54 | 23.2/205.32 | 48.3/427.45 | 82.9/733.66 | 181.4/1605.39 | 125/1106.25 | 220/1947 ¹⁾ |
| Max. admissible torque | Nm / in.lbs | - | - | - | - | - | - | 220/1947 |
| Air consumption | m ³ /min / cfm | 1.6/56.48 | 1.6/56.48 | 1.6/56.48 | 1.6/56.48 | 1.6/56.48 | 1.1/38.83 | 1.6/56.48 |
| Weight | kg / lbs | 5.9/12.98 | 6.1/13.42 | 6.1/13.42 | 6.7/14.74 | 6.7/14.74 | 6.7/14.74 | 8/17.6 |
| Hose I.D., supply air/exhaust air | mm / in. | 19 / 3/4 | 19 / 3/4 | 19 / 3/4 | 19 / 3/4 | 19 / 3/4 | 19 / 3/4 | 19 / 3/4 |

| Motor size 8 | | right rotation | | | | |
|---|---------------------------|----------------|-------------|-------------|-------------|------------------------|
| Series 67X-ATEX conform | Type Part no. | 67X-008R | 67X-028R | 67X-038R | 67X-048R | 67X-058R |
|  | | 3067800A | 3067800B | 3067800C | 3067800D | 3067800E |
| ATEX specification | | A | D | C | C | C |
| Nominal power | W / HP | 2200/2.95 | 2200/2.95 | 2200/2.95 | 2200/2.95 | 2200/2.95 |
| Nominal speed | rpm | 5000 | 1350 | 610 | 350 | 150 |
| Speed (idling) | rpm | 10000 | 2700 | 1220 | 700 | 300 |
| Nominal torque | Nm / in.lbs | 4.2/37.17 | 15.5/137.18 | 33.6/297.36 | 62/548.7 | 138.6/1226.61 |
| Start torque min. | Nm / in.lbs | 6.3/55.76 | 23.3/206.21 | 50.4/446.04 | 93.2/824.82 | 207.9/1839.92 |
| Stall torque | Nm / in.lbs | 8/70.8 | 29.5/261.08 | 63.8/464.63 | 118/1044.3 | 220/1947 ¹⁾ |
| Max. admissible torque | Nm / in.lbs | - | - | - | - | 220/1947 |
| Air consumption | m ³ /min / cfm | 2.1/74.13 | 2.1/74.13 | 2.1/74.13 | 2.1/74.13 | 2.1/74.13 |
| Weight | kg / lbs | 5.9/12.98 | 6.1/13.42 | 6.1/13.42 | 6.7/14.74 | 6.7/14.74 |
| Hose I.D., supply air/exhaust air | mm / in. | 19 / 3/4 | 19 / 3/4 | 19 / 3/4 | 19 / 3/4 | 19 / 3/4 |

Performance data relate to an air pressure of 6 bar (85 PSI) and lubricated air. With oil-free operation the output will be reduced by 10 - 20%.

¹⁾ Please take note of the maximum permissible torque for the gear. Please note that these motor gears are not stall-proof. If a higher application-based torque cannot be limited by the customer (e.g. by use of a slip clutch), please contact our application specialists to discuss an alternative solution.

| Optional Equipment | for motor size 8 | |
|---|------------------|---|
| Flange incl. mounting screws | Part no. | 4446272 |
| Bracket incl. mounting screws | Part no. | 4446285 |
| Silencer: motor operates in one direction (right or left rotation) | | |
| 1 Hose nozzle | Part no. | 410545 (G ^{1/2}) |
| 1 Silencer | Part no. | 129610A (G ^{1/2} /G ^{3/4}) |
| Silencer: motor is reversible (right or left rotation) | | |
| 2 Hose nozzles | Part no. | 410545 (G ^{1/2}) |
| 1 Silencer | Part no. | 129610B (G ^{3/4}) |
| Maintenance unit with lubricator* | | |
| Connection thread | Part no. | 821608 A G 3/4 |
| Maintenance unit without lubricator* | | |
| Connection thread | Part no. | 826982 A G 3/4 |
| Replacement part set consisting of: | | |
| vanes, sealant rings, o-rings and silencers | Part no. | 444788A for part no. 306780(O)B-C 444788B for part no. 306780(O)D-G 444788E for part no. 306780(O)A |

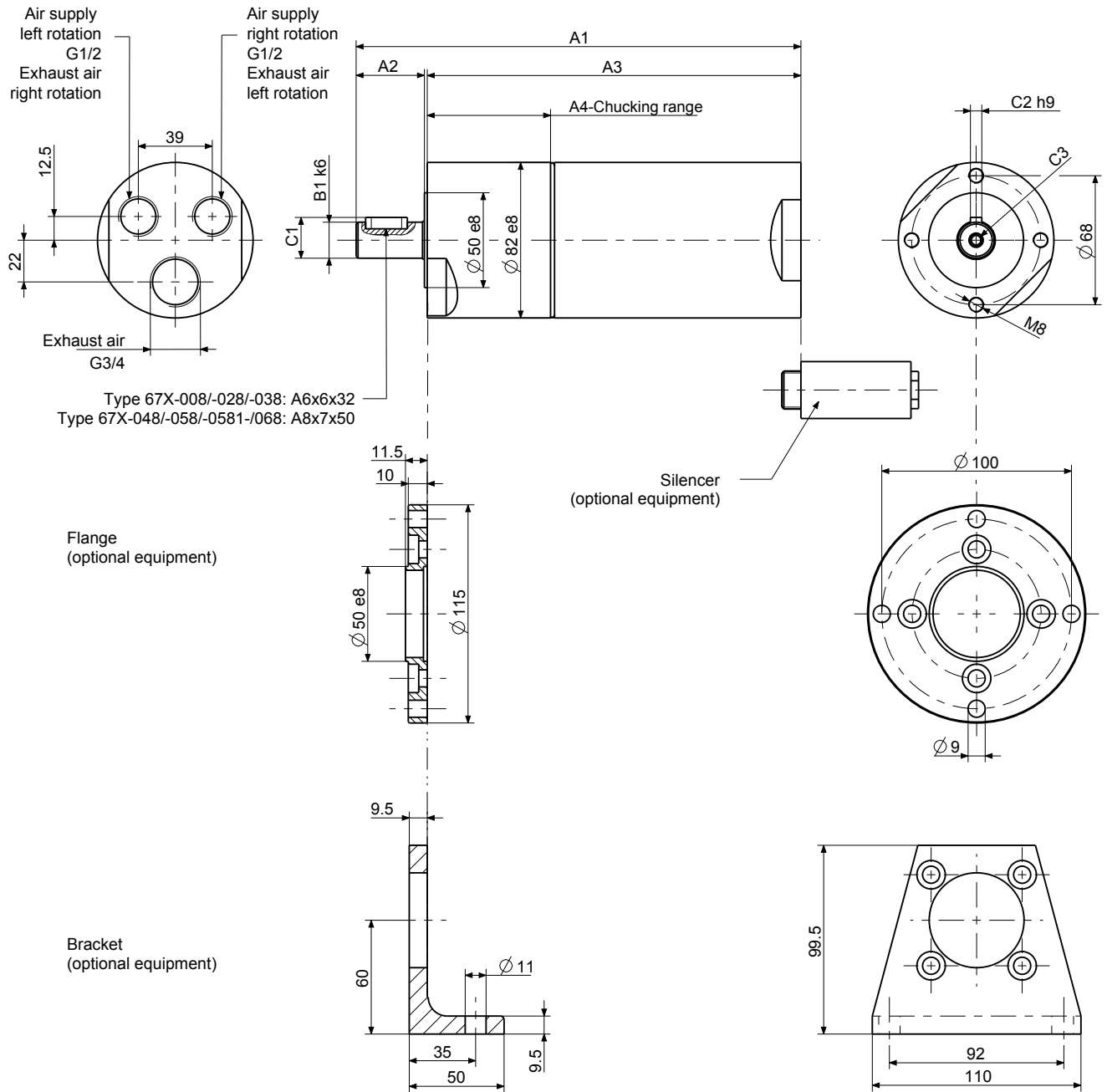
* Maintenance unit consists of pressure regulator valve, filter and optionally with or without lubricator

Of course you can also purchase individual replacement parts from us. Please contact us if this is a requirement. Our standard maintenance units are not ATEX conform. Please contact us if this is a requirement

Allowable shaft loading see page 36.

Further notes for soundproofing see page 36/37.

Motor size 8
Series 67X-
 reversible, right rotation




Dimensions in mm

p440236

| Motor size | Series 67X- Type | | | Dimensions of motor (mm) | | | | | | | |
|------------|---------------------|------------|------------|--------------------------|------|-------|-------|----|------|----|--------|
| | | | | A1 | A2 | A3 | A4 | B1 | C1 | C2 | C3 |
| 8 | 67X-008(R) | 67X-028(R) | 67X-038(R) | 235 | 35 | 197 | 65 | 19 | 21.5 | 6 | M6x15 |
| | 67X-048(R) | 67X-058(R) | 67X-0581 | 268 | 60 | 205 | 73 | 28 | 31 | 8 | M10x20 |
| | 67X-068 | | | 311.5 | 61.5 | 248.5 | 116.5 | | | | |

700/1600 W ADVANCED LINE AIR MOTOR with integrated holding brake

| Motor size 8 with holding brake | | reversible | | | | | | |
|---|---|-----------------------------|-----------------------------|-----------------------------|-----------------------------|-----------------------------|------------------------------|-----------------------------|
| Series 67X- ATEX conform |  Type Part no. | 67X-008B 1031811A | 67X-028B 1031811B | 67X-038B 1031811C | 67X-048B 1031811D | 67X-058B 1031811E | 67X-0581B 1031811F | 67X-068B 1031811G |
| ATEX specification | | A | D | C | C | C | A | A |
| Series 67- without ATEX-authorization | Type Part no. | 67-008B-1 103181A | 67-028B-1 103181B | 67-038B-1 103181C | 67-048B-1 103181D | 67-058B-1 103181E | 67-0581B-1 103181F | 67-068B-1 103181G |
| Nominal power | W / HP | 1600/2.14 | 1600/2.14 | 1600/2.14 | 1600/2.14 | 1600/2.14 | 700/0.9 | 1600/2.14 |
| Nominal speed | rpm | 4800 | 1250 | 600 | 350 | 160 | 100 | 80 |
| Speed (idling) | rpm | 9600 | 2500 | 1200 | 700 | 320 | 200 | 160 |
| Nominal torque | Nm / in.lbs | 3.1/27.4 | 12.2/108 | 25.4/224.8 | 43.6/385.86 | 95.4/844.3 | 66.9/592.1 | 191/1690 |
| Start torque min. | Nm / in.lbs | 4.7/41.6 | 18.3/161.95 | 38.2/338.07 | 65.4/578.79 | 143.2/1267.32 | 100/885 | 220/1947 ¹⁾ |
| Stall torque | Nm / in.lbs | 6.05/53.54 | 23.2/205.32 | 48.3/427.45 | 82.9/733.66 | 181.4/1605.39 | 125/1106.25 | 220/1947 ¹⁾ |
| Brake torque | Nm / in.lbs | 8.2 | 30.6 | 66.1 | 121.8 | - | 152 | 220/1947 ¹⁾ |
| Max. admissible torque | Nm / in.lbs | - | - | - | - | 220/1947 | - | 220/1947 |
| Air consumption | m ³ /min / cfm | 1.6/56.48 | 1.6/56.48 | 1.6/56.48 | 1.6/56.48 | 1.6/56.48 | 1.1/38.83 | 1.6/56.48 |
| Weight | kg / lbs | 9/19.8 | 9.2/20.24 | 9.2/20.24 | 9.7/21.34 | 9.7/21.34 | 9.7/21.34 | 9.1/20.02 |
| Hose I.D., supply air/exhaust air | mm / in. | 19 / 3/4 | 19 / 3/4 | 19 / 3/4 | 19 / 3/4 | 19 / 3/4 | 19 / 3/4 | 19 / 3/4 |

Performance data relate to an air pressure of 6 bar (85 PSI) and lubricated air. With oil-free operation the output will be reduced by 10 - 20%.

¹⁾ Please take note of the maximum permissible torque for the gear. Please note that these motor gears are not stall-proof. If a higher application-based torque cannot be limited by the customer (e.g. by use of a slip clutch), please contact our application specialists to discuss an alternative solution.

| Optional Equipment | | for motor size 8 | |
|---|----------|------------------|---|
| Flange incl. mounting screws | Part no. | | 4446272 |
| Bracket incl. mounting screws | Part no. | | 4446285 |
| Silencer: motor operates in one direction (right or left rotation) | | | |
| 1 Hose nozzle | Part no. | | 410545 (G ^{1/2}) |
| 1 Silencer | Part no. | | 129610A (G ^{1/2} /G ^{3/4}) |
| Silencer: motor is reversible (right or left rotation) | | | |
| 2 Hose nozzles | Part no. | | 410545 (G ^{1/2}) |
| 1 Silencer | Part no. | | 129610B (G ^{3/4}) |
| Maintenance unit with lubricator* | Part no. | | 821608A |
| Connection thread | | | G 3/4 |
| Maintenance unit without lubricator* | Part no. | | 826982A |
| Connection thread | | | G 3/4 |
| Replacement part set consisting of: | | | |
| vaness, sealant rings, o-rings and silencers | Part no. | | 444788A / for part no. 103181(1)B-C 444788B / for part no. 103181(1)D-G 444788E / for part no. 103181(1)A |
| Replacement part set for brake consisting of: | | | |
| discs, o-rings, pressure spring and silencer | Part no. | | 446096D |

* Maintenance unit consists of pressure regulator valve, filter and optionally with or without lubricator

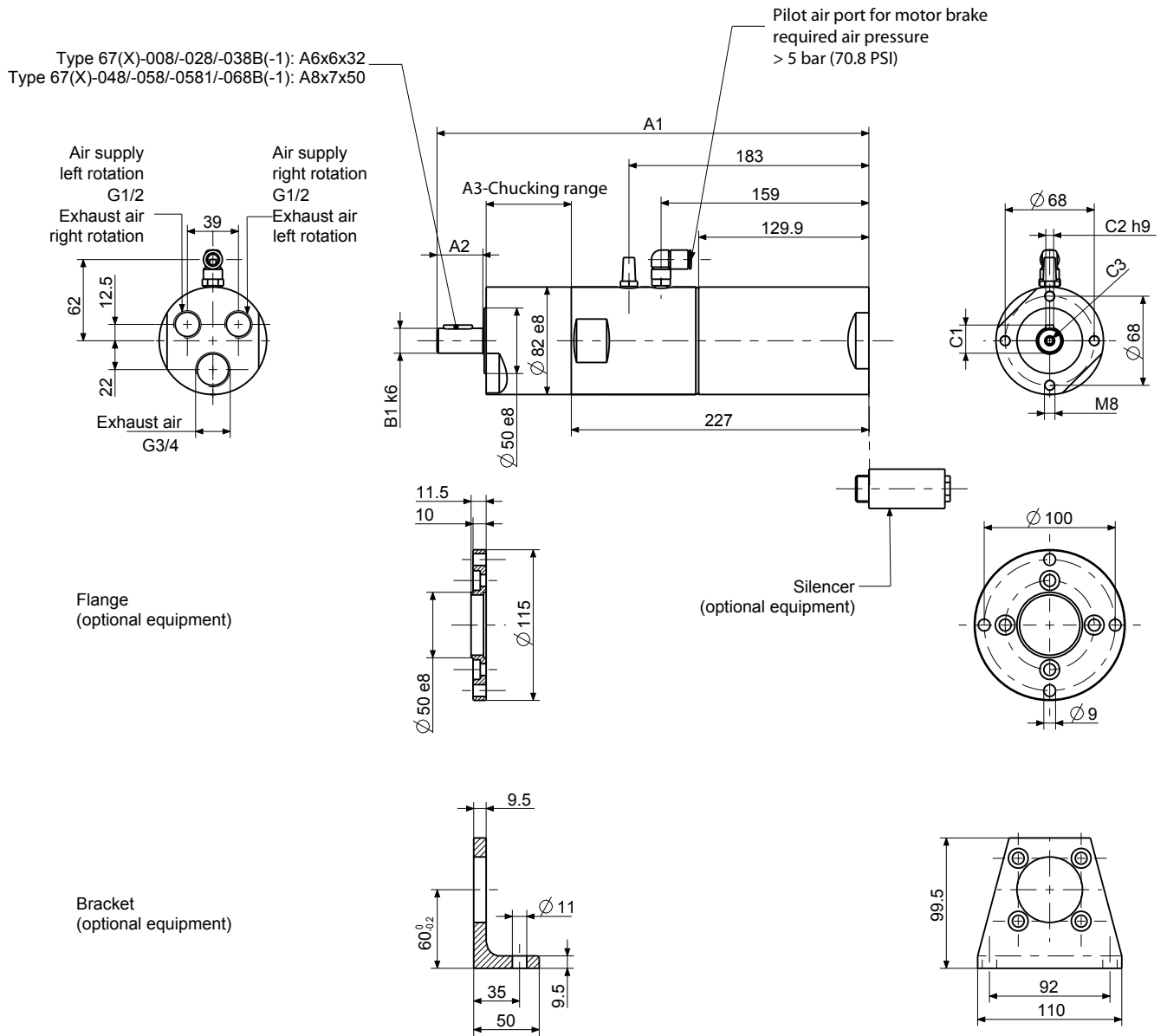
Of course you can also purchase individual replacement parts from us. Our standard maintenance units are not ATEX conform. Please contact us if this is a requirement.

Allowable shaft loading see page 36.

Further notes for soundproofing see page 36/37.

Notes to the pressure regulator valve for our ATEX conform brake motors, please find on page 38.

Motor size 8 with holding brake
Series 67(X)-
 reversible



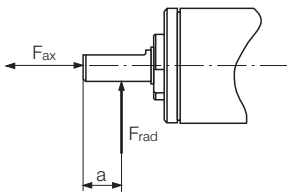
Dimensions in mm

p4401026

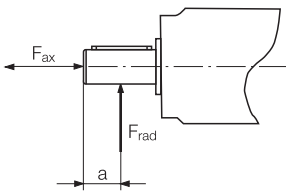
| Motor size | Series 67(X)- with holding brake Type | | | Dimensions of motor (mm) | | | | | | |
|------------|---|----------------|-----------------|--------------------------|----|-----|----|------|----|--------|
| | | | | A1 | A2 | A3 | B1 | C1 | C2 | C3 |
| 8 | 67(X)-008B(-1) | 67(X)-028B(-1) | 67(X)-038B(-1) | 330 | 35 | 65 | 19 | 21.5 | 6 | M6x15 |
| | 67(X)-048B(-1) | 67(X)-058B(-1) | 67(X)-0581B(-1) | 363 | 60 | 73 | 28 | 31 | 8 | M10x20 |
| | 67(X)-068B(-1) | | | 406.6 | 63 | 117 | | | | |

Maximum allowable shaft load of the drive shaft

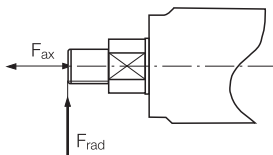
flattened shaft
Motor size 0 and 1



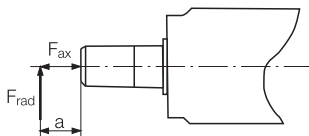
parallel key shaft
Motor size 2 to 8



threaded shaft



drill chuck



Motors with flattened shaft

| Motor size | Part no. | Fax [N] | Frad [N] | a [mm] |
|------------|--------------|---------|----------|--------|
| 0 | 306700B-E | 120 | 180 | 6 |
| | 3067000B-E | | | |
| 1 | 306710(0)A-I | 200 | 240 | 7 |

Motors with parallel key shaft

| Motor size | Part no. | Part no. with holding brake | Fax [N] | Frad [N] | a [mm] |
|------------|------------------|--------------------------------|---------|----------|--------|
| 2 | 306720(0)A-F,H | | 340 | 165 | 9 |
| 2.5 | 306725(0)A-H | 107399A-H / 1073991A-H | 510 | 1170 | 11 |
| | 306730(0)A-D | 103029A-D / 1030291A-D | 510 | 1180 | 13 |
| 3 | 306730(0)E-H,K | 103029E-H,K / 1030291E-H,K | 680 | 1040 | 14 |
| | 306730(0)I,L,M | 103029P,R,S / 1030291P,R,S | 1160 | 3870 | 20 |
| | 306730(0)N,O | 103029N,O / 1030291N,O | 1160 | 3920 | 20 |
| 6 | 306760(0)A-D,H,N | 102750A-D,H,N / 1027501A-D,H,N | 690 | 1190 | 14 |
| | 306760(0)E-G | 102750E,F,G / 1027501E,F,G | 800 | 2030 | 16 |
| | 306760(0)I,K,L | 102750P,R,S / 1027501P,R,S | 1160 | 3790 | 20 |
| | 306760(0)M | 102750M / 1027501M | 1160 | 3900 | 20 |
| 7 | 306770(0)A-D,H,N | 103005A-D,H,N / 1030051A-D,H,N | 690 | 1190 | 14 |
| | 306770(0)E-F | 103005E,F / 1030051E,F | 800 | 2030 | 16 |
| | 306770(0)I,K,L | 103035P,R,S / 1030351P,R,S | 1160 | 3790 | 20 |
| | 306770(0)M | 103035M / 1030351M | 1160 | 3900 | 20 |
| 8 | 306780A-C,G | 1031811A-C,G / 103181A-C,G | 1470 | 2790 | 16 |
| | 306780D-F | 1031811D-F / 103181D-F | 1560 | 2730 | 30 |
| | 3067800A-C | | 1470 | 2790 | 16 |
| | 3067800D,E | | 1470 | 2580 | 30 |

Motors with threaded spindle

| Motor size | Part no. | Fax [N] | Frad [N] | a [mm] |
|------------|-------------|---------|----------|--------|
| 2 | 3067207A-H | 340 | 110 | 0 |
| 2.5 | 3067257A-L | 510 | 880 | 0 |
| | 3067307A-D | 510 | 860 | 0 |
| | 3067307E-H | 680 | 820 | 0 |
| 3 | 30673014A-D | 510 | 860 | 0 |
| | 30673014E,F | 680 | 820 | 0 |
| | 1141327B-H | 690 | 1000 | 0 |

Motors with drill chuck

| Motor size | Part no. | Fax [N] | Frad [N] | a [mm] |
|------------|-----------|---------|----------|--------|
| 6 | 114132B-H | 800 | 350 | 80 |

Allowable force for 10 million spindle rotations with 90 % survival probability of bearing.

Noise level of the motors

Noise level for motors of the series 67(X) - without or with silencer (see optional equipment)

| for Motor size | Noise level dB (A) without silencer | Noise level dB (A) with silencer | | Part no. silencer | |
|----------------|--|----------------------------------|-----------------------|---------------------------|------------|
| | | for right rotational motors | for reversible motors | in one turn direction R/L | reversible |
| 0 | 98 | assembly is not possible | | 129588A | - |
| 1 | 95 | 90 | 85 | 117968A | 117968A |
| 2 | 99 | 78.8 | 92 | 129596A | 129596B |
| 2.5 | 100 | 81.1 | 82 | 129601A | 129601B |
| 3 | 103 | 83.4 | 91 | 129602A | 129601B |
| 6 | 104 | 87.2 | 94 | 129563A | 129563B |
| 7 | 106 | 90.2 | 88 | 129563A | 129563B |
| 8 | 108 | 85.6 | 95 | 129610A | 129610B |

Use in potentially explosive environments



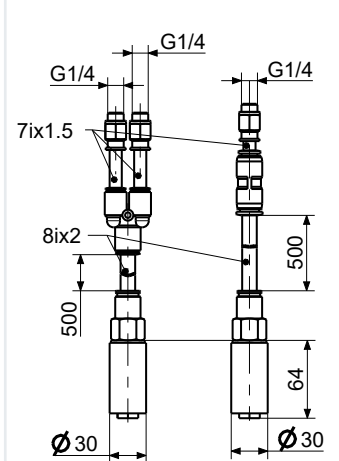
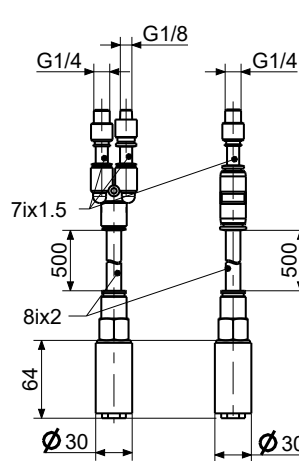
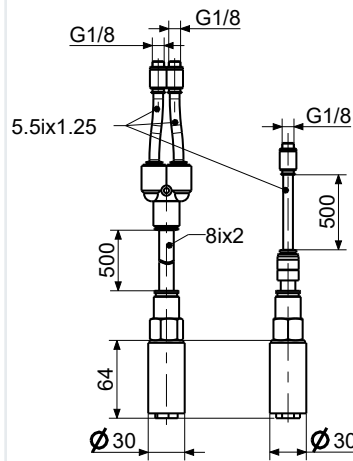
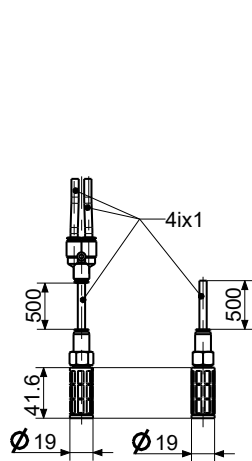
The correspondingly marked motors are suitable for use in potentially explosive environments.

Optional Silencer sets for further reduction of the noise level

Silencer sets for motors of the build series 67(X)-

| for Motor size | Motor operates in one turn direction R/L (clockwise or anticlockwise rotation), Part no. | Motor operates reversible U (clockwise and anticlockwise rotation), Part no. | Noise level approx. dB (A) | |
|----------------|--|--|----------------------------|------------|
| | | | in one turn direction R/L | reversible |
| 1 | 446354B | 446354A | 71 | 71 |
| 2 | 440015B | 440015A | 69 | 70 |
| 2,5 | 440016B | 440016A | 72 | 71 |
| 3 | 440018B | 440018A | 74 | 70 |
| 6 | 4400191B | 4400191A | 82 | 76 |
| 7 | 4400191B | 4400191A | 86 | 79 |
| 8 | 440020B | 440020A | 85 | 87 |

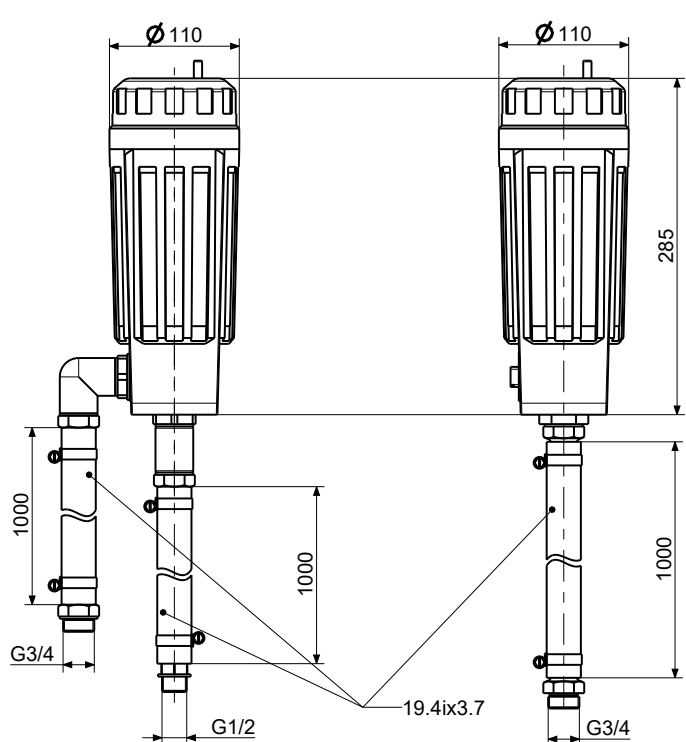
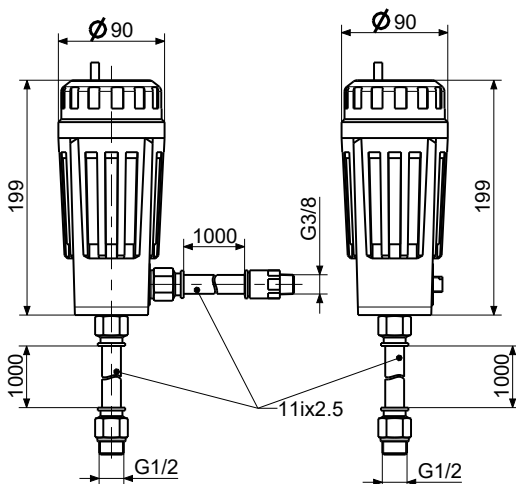
| Motor size 1 | | Motor size 2 | | Motor size 2.5 | | Motor size 3 | |
|--------------|---|--------------|---|----------------|---|--------------|---|
| R/L | U | R/L | U | R/L | U | R/L | U |



Motor size 8

R/L

U



Dimensions in mm
p122985

Speed standard values (rpm) for HSS spiral-drills

| Cutting Speed | 35 m/min (115 ft./min) | 28 m/min (90 ft./min) | 25 m/min (80 ft./min) | 14 m/min (45 ft./min) | 11 m/min (35 ft./min) | 7 m/min (23 ft./min) | 22 m/min (70 ft./min) | 12 m/min (40 ft./min) | 50 m/min (165 ft./min) | 90 m/min (300 ft./min) | 165 m/min (540 ft./min) | 210 m/min (690 ft./min) |
|----------------------|--|---|--|---|--|-------------------------|--|--|---------------------------|--|----------------------------|-------------------------------|
| Drill dia. mm/in. | up to 500 N/mm ² (30 long tons/sq. in.) | Carbon steel | | Alloy steel | | Stainless steel | Cast-Iron | | Copper Bronze Brass | Lightweight-Metal common alloy mild brass ¹⁾ hard | | Magnesium-Alloy ²⁾ |
| | | 500 - 700 N/mm ² (30 - 45 long tons/sq. in.) | above 700 N/mm ² (45 long tons/sq. in.) | 700 - 900 N/mm ² (45 - 55 long tons/sq. in.) | 900 - 1100 N/mm ² (55 - 70 long tons/sq. in.) | | up to 180 N/mm ² (10 long tons/sq. in.) | above 180 N/mm ² (10 long tons/sq. in.) | | | | |
| 1/0.04 | 11000 | 8800 | 7800 | 4400 | 3400 | 2200 | 7000 | 3800 | 16000 | 28000 | 52000 | 66000 |
| 2 ⁵ /64 | 5500 | 4400 | 3900 | 2200 | 1700 | 1100 | 3500 | 1900 | 8000 | 14000 | 26000 | 33000 |
| 3 ¹ /8 | 3700 | 3000 | 2600 | 1500 | 1100 | 730 | 2300 | 1300 | 5300 | 9000 | 17300 | 22000 |
| 4 ⁵ /32 | 2800 | 2200 | 2000 | 1100 | 850 | 550 | 1700 | 950 | 4000 | 7000 | 13000 | 16500 |
| 5 ¹³ /64 | 2200 | 1800 | 1600 | 880 | 680 | 440 | 1400 | 760 | 3200 | 5600 | 10400 | 13200 |
| 6 ¹⁵ /64 | 1900 | 1500 | 1300 | 735 | 570 | 365 | 1200 | 630 | 2700 | 4800 | 8700 | 11000 |
| 7 ⁹ /32 | 1600 | 1300 | 1100 | 630 | 485 | 315 | 1000 | 540 | 2300 | 4000 | 7400 | 9400 |
| 8 ⁵ /16 | 1400 | 1100 | 975 | 550 | 425 | 275 | 875 | 475 | 2000 | 3500 | 6500 | 8300 |
| 9 ²³ /64 | 1200 | 975 | 865 | 490 | 380 | 245 | 780 | 420 | 1800 | 3100 | 5800 | 7400 |
| 10 ²⁵ /64 | 1100 | 880 | 780 | 440 | 340 | 220 | 700 | 380 | 1600 | 2800 | 5200 | 6600 |

¹⁾ Speed therefore for triplet of duro-plates, hard-paper and hard tissues, however instead of the HSS-drills we recommend quickly steel-drills equipped with hard-metal K 10

²⁾ for thermos-plates, we recommend double the values

Pressure regulator valve for ATEX conform brake motors

A pressure regulator valve is included within our shipment of the ATEX conform brake motors.

This safety valve turns off the air supply in the brake leads automatically when the pressure falls under 5 bar.

This prevents an irregular temperatur increase.



The layout of your air motor:

Calculating the motor power

$$P = \frac{M \times n}{9550}$$

P = Power Output in kW

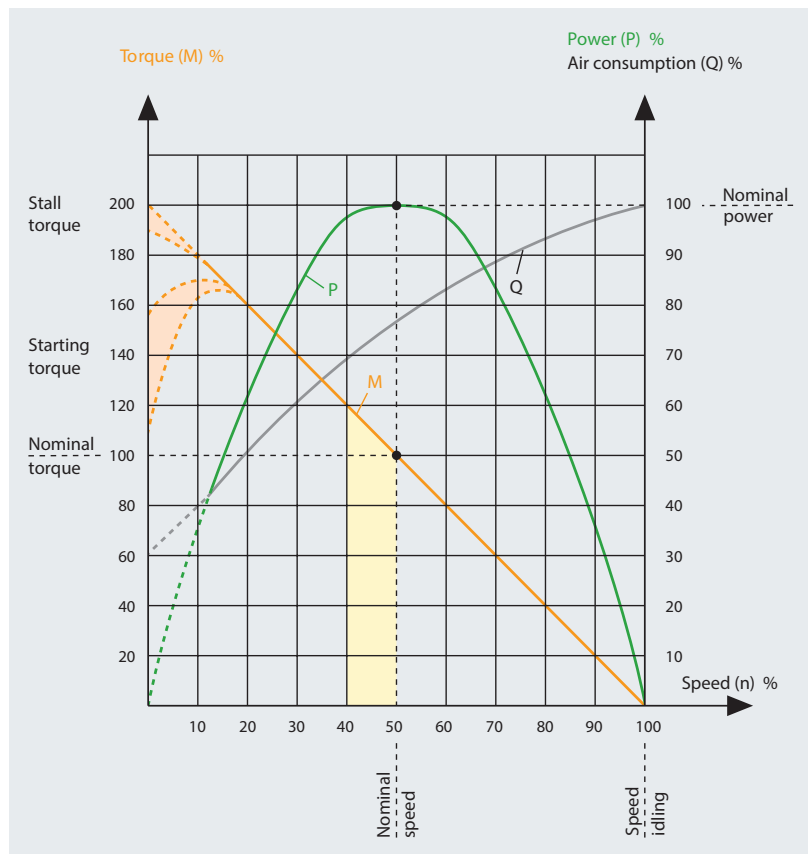
M = Nominal-Torque in Nm

n = Nominal-Speed in rpm

The optimal working range of an air motor is close to the nominal speed. If you need lower speeds than are mentioned in the catalogue you can reduce the speed by throttling the exhaust air with only a slight loss of power. By throttling the supply air or decreasing the operating pressure the speed, torque and power are reduced.

All performance data of the DEPRAG air motors is based on operating pressure of 6 bar and the opening cross-section mentioned in the motor data. If your application conditions are different from this then you will find a comprehensive guide to the layout of our motors in product catalog D6000E.

= optimal working range of the air motor



Do you need support in selecting the right drive system?

Tell us your operational conditions and our application consultants will be happy to help. Please use the following request form and send it to: airmotors@deprag.de

| | | | |
|--|--|--|-------------------------------------|
| Application: | <input type="text"/> | | |
| In what kind of environment will the motor be installed? | ATEX requirement / explosion safety? | <input type="checkbox"/> yes | <input type="checkbox"/> no |
| | if yes, which safety class: | | |
| | food industry conformity? | <input type="checkbox"/> yes | <input type="checkbox"/> no |
| | sterilisable? | <input type="checkbox"/> yes | <input type="checkbox"/> no |
| | acid resistant? | <input type="checkbox"/> yes | <input type="checkbox"/> no |
| | steam resistant? | <input type="checkbox"/> yes | <input type="checkbox"/> no |
| Application conditions: | constant operation (24 hrs, non-stop) | <input type="checkbox"/> yes | <input type="checkbox"/> no |
| | duty cycle in hrs/day: | <input type="text"/> | |
| | days/year: | <input type="text"/> | |
| | cycle time (s): | <input type="text"/> | |
| | motor loaded to stall? | <input type="checkbox"/> yes | <input type="checkbox"/> no |
| | self-locking? | <input type="checkbox"/> yes | <input type="checkbox"/> no |
| Required turn direction: | <input type="checkbox"/> left | <input type="checkbox"/> right | <input type="checkbox"/> reversible |
| | (view from air inlet) | | |
| Motor performance: | power: | <input type="text"/> | W |
| | nominal torque: | <input type="text"/> | Nm |
| | nominal speed: | <input type="text"/> | rpm |
| Performance influencing application conditions: | operating pressure (at motor inlet): | <input type="text"/> | bar |
| | operation with lubricated air possible? | <input type="checkbox"/> yes | <input type="checkbox"/> no |
| | smallest opening cross-section of connection pieces and hoses? | <input type="text"/> | mm |
| External motor design: | <input type="checkbox"/> standard steel | <input type="checkbox"/> non-corrosive | <input type="checkbox"/> aluminium |
| | <input type="checkbox"/> plastics | <input type="checkbox"/> ceramics | |
| | other: | <input type="text"/> | |
| Drive spindle design: | drive shaft requirements: | <input type="text"/> | |
| | (e. g. keyed shafts, square end, hexagonal, collet, drill chuck taper, etc.) | | |
| | required dimensions: | <input type="text"/> | |
| | | <input type="text"/> | |
| Motor fixture design: | mounting requirements: (bracket, flange, etc.) | <input type="text"/> | |
| | required dimensions: | <input type="text"/> | |
| | | <input type="text"/> | |
| Additional components: | <input type="checkbox"/> holding brake | <input type="checkbox"/> operational brake | |
| | gear box: | <input type="text"/> | |
| Price range: | <input type="text"/> | | |
| Annual requirement: | <input type="text"/> | | |

DEPRAG

DEPRAG SCHULZ GMBH u. CO. KG
P.O. Box 1352 | D-92203 Amberg
Carl-Schulz-Platz 1 | D-92224 Amberg
Phone: +49 9621 371-0 | Fax: +49 9621 371-120
www.deprag.com | info@deprag.de

CERTIFIED AS PER DIN EN ISO 9001
